

Insulated Tilting Skillet

Electric,
Insulated for Safety™
10° Tilting, Leg Mounted
Made in USA

Combi-Pan® Model CS

Standard Features



Model CS41-9
(with optional drain hose and spray hose assembly)

- ◆ 304 stainless food contact zone with:
 - ◇ 304 stainless 1 ½" compression draw-off
- ◆ 304 stainless seam welded pan body with:
 - ◇ 10° tilting pan, 31" working height
 - ◇ Food pan holder under draw-off
 - ◇ Insulated sides and bottom
 - ◇ Rear drip collector on pan body
 - ◇ Tapered access rim
 - ◇ 240V, three phase (3Ø) standard
- ◆ Adjustable thermostat (175°F to 400°F)
- ◆ High limit safety thermostat
- ◆ Patented 304 stainless safety lid, seam welded with:
 - ◇ Actuator-assisted counterbalance
 - ◇ Full width condensate drip shield
 - ◇ Full width rear steam vent
 - ◇ 304 stainless safety handle
 - ◇ Dual side-mounted safety handles
- ◆ 304 stainless, seam welded component enclosure
- ◆ 304 stainless, seam welded tubular frame construction
- ◆ Adjustable flanged feet (flanged front, bullet rear)
- ◆ Approved for use as a fryer

Legion equipment is built to comply with applicable standards for manufacturers. Approval agencies may include ASME, NSF, UL, ETL, AGA, CSA, CGA, and others. Legion reserves the right of design improvement or modification as warranted. U.S. Patent Nos. 5,553,531, 5,964,145 & Des. 371,715.

Models and Capacities

Model	2.5" Insert Pans	Cooking Baskets	Griddle Area (in. ²)	Kettle (Gals.)	Frying Oil (lbs.)	Oven Volume (ft. ³)
CS28-5	2	0	703	15.2	70	2.0
CS28-7	2	2	703	21.3	70	2.8
CS28-9	2	2	703	27.4	70	3.7
CS28-11	2	2	703	33.5	70	4.5
CS28-14	2	2	703	42.6	70	5.7
CS41-5	3	0	1029	22.3	105	3.0
CS41-7	3	3	1029	31.2	105	4.2
CS41-9	3	3	1029	40.1	105	5.4
CS41-11	3	3	1029	49.0	105	6.6
CS41-14	3	3	1029	62.4	105	8.4

Select draw-off valve: 1.5" 2" 3"

With: compression ball type fitting

See price list for other draw-off options.

Select Voltage: 208V 240V 380V 415V 440V 480V

Select Phase: 1φ 3φ

Optional Features and Accessories

See price list for supplemental information regarding options

Faucet Options:

Single ball valve mounted to frame with 48" vinyl flexible spray hose assembly

48" flexible spray hose assembly (vinyl or stainless) for use with dual or single fill faucet

Automatic water filling meter

(Call for information regarding additional faucet options)

Prison/Security Options:

Fasteners (screws & nuts)

Nut / screw driver tool

Draw-off nut driver tool

Lockable control cover

Lockable lid

Draw-off protection

Feet:

Adjustable flanged feet (rear feet)

Casters (two each locking/non-locking type) & restraining devices

Restraining device kit

Accessories:

Perforated cooking/steaming basket (11" x 20½" x 5")

Perforated or solid 12 x 20 food pans, 2½, 4 or 6 inch deep

Draw-off drain spout

Draw-off strainer

Draw-off drain hose

#10 Can holder for draw-off

Flat bottom scoop

Fry scoop

Care kit

3 part tool for cleaning cooking surface

Other Options:

Knockdown capability for 26" x 66" opening (shipped assembled)

Electric timer with buzzer



LEGION Legion Industries, Inc.
(706) 554-4411 Fax: (706) 554-2035

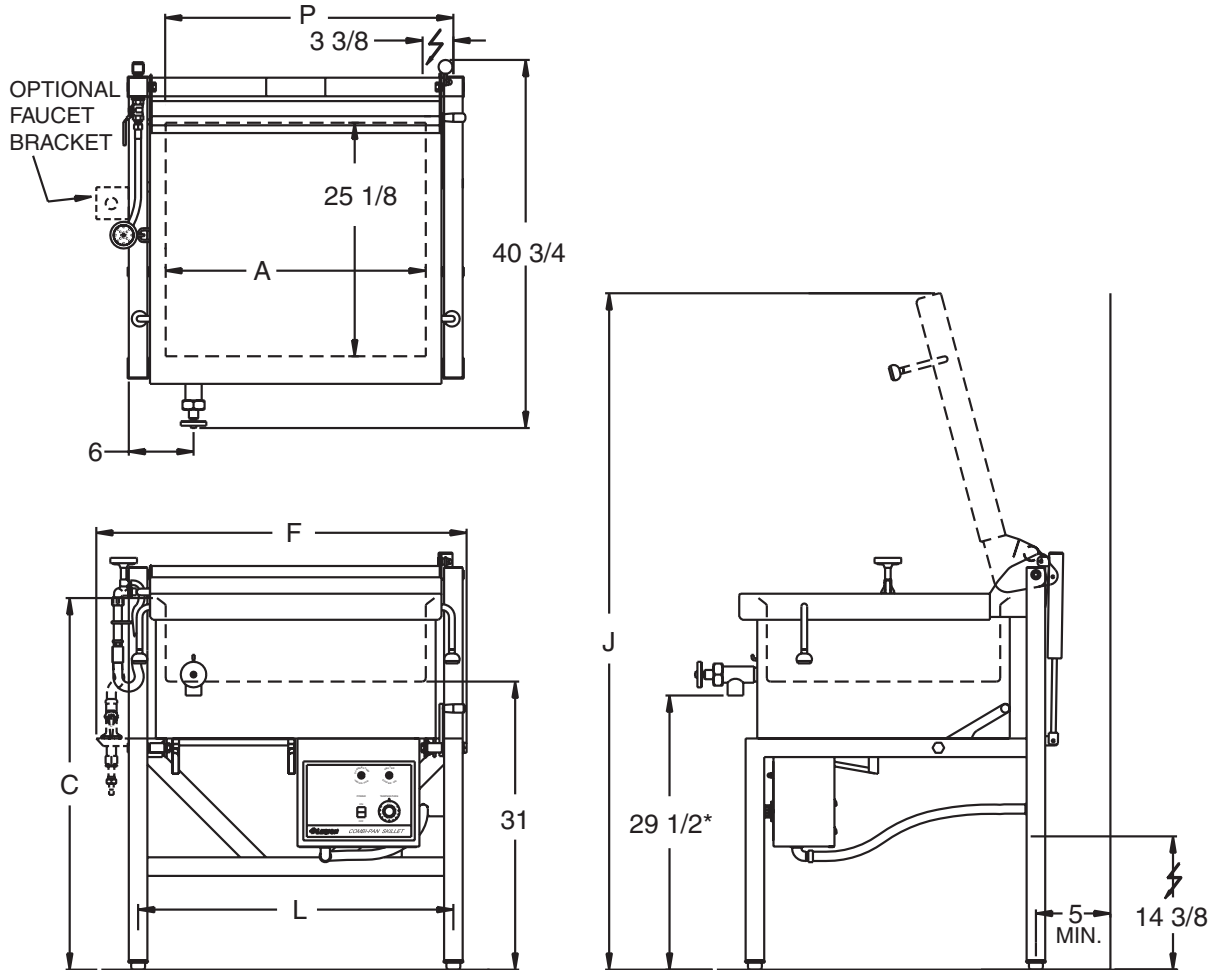
P.O. Office Box 728 Waynesboro, GA 30830 (800) 887-1988
www.legionindustries.com sales@legionindustries.com

Combi-Pan® Model CS

Electric,
Insulated for Safety™
10° Tilting, Leg Mounted
Made in USA

Insulated Tilting Skillet

DRAWING REPRESENTS MODEL CS28-9 WITH STANDARD 1 1/2" DRAW-OFF
AND OPTIONAL SINGLE BALL VALVE AND SPRAY HOSE ASSEMBLY



COMBI-PAN® TILTING SKILLET DIMENSIONS

MODEL*	DEPTH	A (PAN ID)	C	F	J	L	P (DRAIN)	Model*	DEPTH	A (PAN ID)	C	F	J	L	P (DRAIN)
CS28-5	5	28.0	36.0	40.0	68.8	34.0	32.4	CS41-5	5	41.0	36.0	53.0	68.8	47.0	45.4
CS28-7	7	28.0	38.0	40.0	70.8	34.0	32.4	CS41-7	7	41.0	38.0	53.0	70.8	47.0	45.4
CS28-9	9	28.0	40.0	40.0	72.8	34.0	32.4	CS41-9	9	41.0	40.0	53.0	72.8	47.0	45.4
CS28-11	11	28.0	42.0	40.0	74.8	34.0	32.4	CS41-11	11	41.0	42.0	53.0	74.8	47.0	45.4
CS28-14	14	28.0	45.0	40.0	77.8	34.0	32.4	CS41-14	14	41.0	45.0	53.0	77.8	47.0	45.4

*Dimensions on these drawings are applicable only when using a 1.5" diameter draw-off valve. If a 2" or 3" diameter draw-off valve is required, contact Legion for applicable dimensions.

COMBI-PAN® TILTING SKILLET ELECTRICAL SPECIFICATIONS (Amperes per Leg)

MODEL*	kW	208 Volt		240 Volt		380 Volt	415 Volt	440 Volt	480 Volt
		1 Phase	3 Phase-Δ	1 Phase	3 Phase-Δ	3 Phase-Y	3 Phase-Y	3 Phase-Y	3 Phase-Y
CS28-()	11.8	51.3	29.6	49.3	28.4	18.0	16.4	15.5	14.2
CS41-()	17.7	76.9	44.4	73.9	42.7	27.0	24.6	23.3	21.3

U.S. PATENT NOS. 5,553,531, 5,964,145 & DES. 371,715

Revision 113



LEGION Legion Industries, Inc. P.O. Office Box 728 Waynesboro, GA 30830 (800) 887-1988
(706) 554-4411 Fax: (706) 554-2035 www.legionindustries.com sales@legionindustries.com