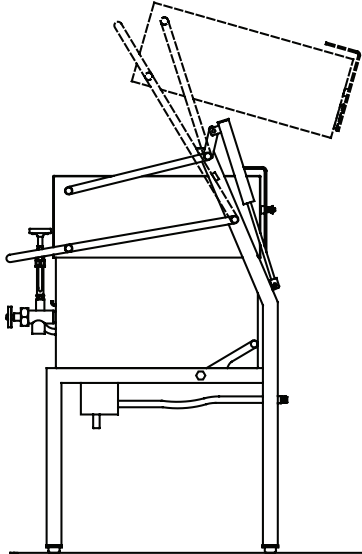


# Insulated Multi-Functional Cookers

Direct Steam, Low Lid Profile  
Insulated for Safety™  
10° Tilting, Leg Mounted  
Made in USA

# Model DSKL

## Standard Features



Model DSKL6-9

- ◆ 304 stainless food contact zone with:  
304 stainless 1 1/2" compression draw-off
- ◆ 304 stainless seam welded pan body with:  
10° tilting pan, 31" working height  
Insulated sides and bottom  
Tapered access rim  
Steam control (1" ball valve)
- ◆ Maximum operating pressure 125 psi (353° F)
- ◆ Safety valve, 125 psi
- ◆ Patented 304 stainless seam welded Capsule Lid with:  
Variable position, actuator-assisted opening  
Insulated sides and top  
Adjustable steam vent  
"L" Lid condensate containment
- ◆ Cassette rack(s) for 12 x 20 food pans
- ◆ 304 stainless, seam welded component enclosure
- ◆ 304 stainless, seam welded tubular frame construction
- ◆ Single ball valve with 48" s/s flexible spray hose assembly
- ◆ Adjustable flanged feet

Legion equipment is built to comply with applicable standards for manufacturers. Approval agencies may include ASME, NSF, UL, ETL, AGA, CSA, CGA, and others. Legion reserves the right of design improvement or modification as warranted.

## Models and Capacities

| Model*   | 2.5" Insert Pans | Cooking Baskets | Griddle Area (in. <sup>2</sup> ) | Kettle (Gals.) | Frying Oil (lbs.) | Oven Volume (ft. <sup>3</sup> ) |
|----------|------------------|-----------------|----------------------------------|----------------|-------------------|---------------------------------|
| DSKL6-5  | 6                | 4               | 703                              | 15.2           | 70                | 5.6                             |
| DSKL6-7  | 6                | 6               | 703                              | 21.3           | 70                | 6.4                             |
| DSKL6-9  | 6                | 6               | 703                              | 27.4           | 70                | 7.3                             |
| DSKL6-11 | 6                | 6               | 703                              | 33.5           | 70                | 8.2                             |
| DSKL9-5  | 9                | 6               | 1029                             | 22.3           | 105               | 8.2                             |
| DSKL9-7  | 9                | 9               | 1029                             | 31.2           | 105               | 9.4                             |
| DSKL9-9  | 9                | 9               | 1029                             | 40.1           | 105               | 10.6                            |
| DSKL9-11 | 9                | 9               | 1029                             | 49.0           | 105               | 11.8                            |

Select draw-off valve: \_\_1.5" \_\_2" \_\_3"

With: \_\_compression \_\_ball type fitting

Revision 113

## Optional Features and Accessories

See price list for supplemental information regarding options

### Faucet Options:

- \_Single or dual faucet with bracket & 12" or 18" swing nozzle
- \_48" flexible spray hose assembly (pvc or stainless) for dual or single faucet
- \_Faucet bracket
- \_Automatic water filling meter

(Call for information regarding additional faucet options)

### Prison/Security Options:

- \_Fasteners (screws & nuts)
- \_Tamper resistant pin torx key
- \_Draw-off nut driver tool
- \_Screw driver tool
- \_Lockable control cover
- \_Draw-off protection

### Other Options:

- \_Knockdown capability for 26" x 66" opening (shipped assembled)

### Accessories:

- \_Perforated cooking/steaming basket (11" x 20 1/2" x 5")
- \_Perforated or solid 12 x 20 food pans, 2 1/2, 4 or 6 inch deep
- \_Draw-off drain spout
- \_Draw-off strainer
- \_Draw-off drain hose
- \_#10 Can holder for draw-off
- \_Flat bottom scoop
- \_Fry scoop
- \_Skittle care kit

### Steam Trap Kits:

- \_Steam trap kit, standard finish
- \_Steam trap kit, bright nickel-plated finish



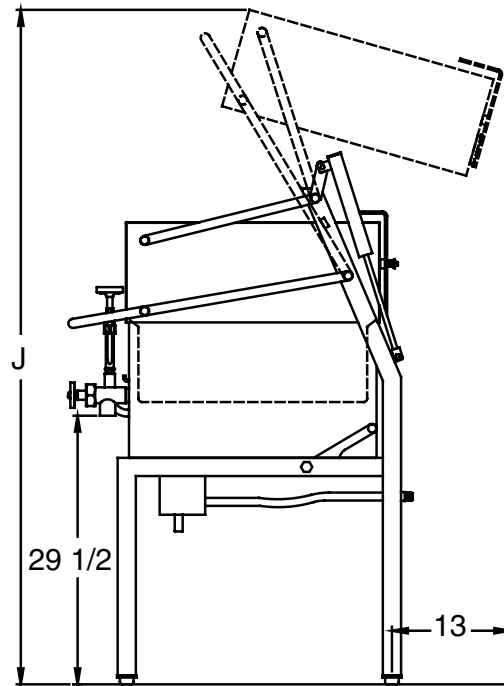
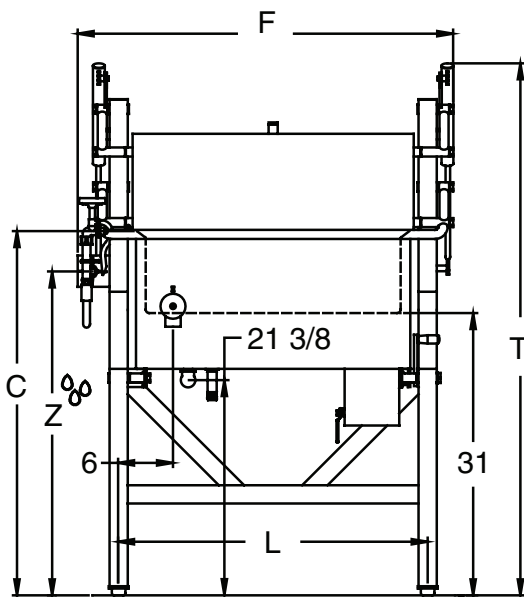
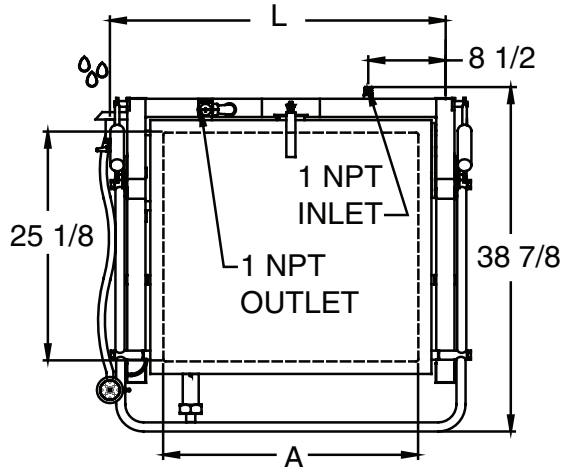
**LEGION** Legion Industries, Inc. P.O. Office Box 728 Waynesboro, GA 30830 (800) 887-1988  
(706) 554-4411 Fax: (706) 554-2035 www.legionindustries.com sales@legionindustries.com

# Model DSKL

Direct Steam, Low Lid Profile  
Insulated for Safety™  
10° Tilting, Leg Mounted  
Made in USA

# Insulated Multi- Functional Cookers

DRAWING REPRESENTS MODEL DSKL6-9 WITH STANDARD 1 1/2" DRAW-OFF



Direct Steam Skittle® Cooker Dimensions

| Model*     | A    | F    | L    | P    | Model      | A    | F    | L    | P    | Depth | C    | J    | T    | Z    |
|------------|------|------|------|------|------------|------|------|------|------|-------|------|------|------|------|
| DSKL6-5    | 28.0 | 41.3 | 34.0 | 26.4 | DSKL9-5    | 41.0 | 54.3 | 47.0 | 39.4 | 5     | 36.0 | 70.3 | 53.3 | 31.5 |
| DSKL6-7    | 28.0 | 41.3 | 34.0 | 26.4 | DSKL9-7    | 41.0 | 54.3 | 47.0 | 39.4 | 7     | 38.0 | 72.3 | 55.3 | 33.5 |
| DSKL6-9    | 28.0 | 41.3 | 34.0 | 26.4 | DSKL9-9    | 41.0 | 54.3 | 47.0 | 39.4 | 9     | 40.0 | 74.3 | 57.3 | 35.5 |
| DSKL6-11** | 28.0 | 41.3 | 34.0 | 26.4 | DSKL9-11** | 41.0 | 54.3 | 47.0 | 39.4 | 11    | 42.0 | 76.3 | 59.3 | 37.5 |

\*Dimensions on these drawings are applicable only when using a 1.5" diameter draw-off valve. If a 2" or 3" diameter draw-off valve is required, contact Legion for applicable dimensions.

\*\*Note: Vertical dimensions of 11" deep pan may be reduced by 2" to match 9" deep pan with shorter legs.

U.S. PATENT NOS. 5,553,531, 5,964,145 & 3,71,715

Revision 113



**LEGION** Legion Industries, Inc. P.O. Office Box 728 Waynesboro, GA 30830 (800) 887-1988  
(706) 554-4411 Fax: (706) 554-2035 www.legionindustries.com sales@legionindustries.com