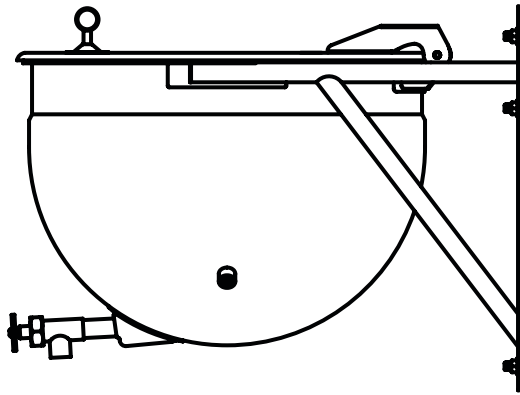


Direct Steam Kettle

Full Jacketed, Stationary
Deep Drawn Construction
Wall-Bracket Mounted
Made in USA

Model LSWT

STANDARD FEATURES



- ◆ Kettle System
 - ◇ Seamless deep-drawn 304 kettle liner
 - ◇ 304 stainless draw-off tube and welds
 - ◇ 304 stainless 2" compression draw-off valve
- ◆ 304L seamless deep-drawn stainless kettle jacket
- ◆ 304 stainless support arms, seam welded to jacket
- ◆ 304 stainless, one piece, domed cover, actuator-assisted on 40 - 100 gallon
- ◆ 30 psi operating pressure
- ◆ Perforated disk strainer, 1/4" holes

Model LSWT

Legion equipment is built to comply with applicable standards for manufacturers. Approval agencies may include ASME, NSF, UL, ETL, AGA, CSA, CGA, and others. Legion reserves the right of design improvement or modification as warranted.

Models and Capacities

LSWT-20	20 gal.	76 l.
LSWT-25	25 gal.	95 l.
LSWT-40	40 gal.	151 l.
LSWT-50	50 gal.	189 l.
LSWT-60	60 gal.	227 l.
LSWT-80	80 gal.	303 l.
LSWT-100	100 gal.	379 l.

Optional Features and Accessories

See price list for supplemental information regarding options

Faucet Options:

- _ Single or double fill faucet with bracket & 12" or 18" swing nozzle
- _ 48" flexible spray hose assembly (vinyl or stainless) for use with dual or single fill faucet
- _ Faucet bracket
- _ Automatic water filling meter

(Call for information regarding additional faucet options)

Prison/Security Options:

- _ Fastener (nut for draw-off)
- _ Draw-off nut driver tool
- _ Lockable lid
- _ Draw-off protection
- _ Reinforced bar rim

Other Options:

- _ Higher operating pressure
- _ Air eliminator valve
- _ Pressure reducing valve
- _ Connection plumbing parts kit
- _ Mixer/Agitator, 2 speed
- _ Lift-off cover
- _ 1 piece actuator-assisted cover, 20 - 30 gallon
- _ 2 piece hinged cover
- _ In-wall carrier for wall mounting

Accessories:

- _ Single basket insert, 20 - 40 gallon
- _ Tri-basket insert
- _ Nylon bag insert with spreader ring
- _ Draw-off drain hose
- _ Measuring strip
- _ Perforated disk strainer 1/8" holes
- _ Kettle care kit

Select draw-off valve: 2" 3"

With: compression ball type fitting

See price list for other draw-off options.

Revision 113



LEGION Legion Industries, Inc. P.O. Office Box 728 Waynesboro, GA 30830 (800) 887-1988
(706) 554-4411 Fax: (706) 554-2035 www.legionindustries.com sales@legionindustries.com

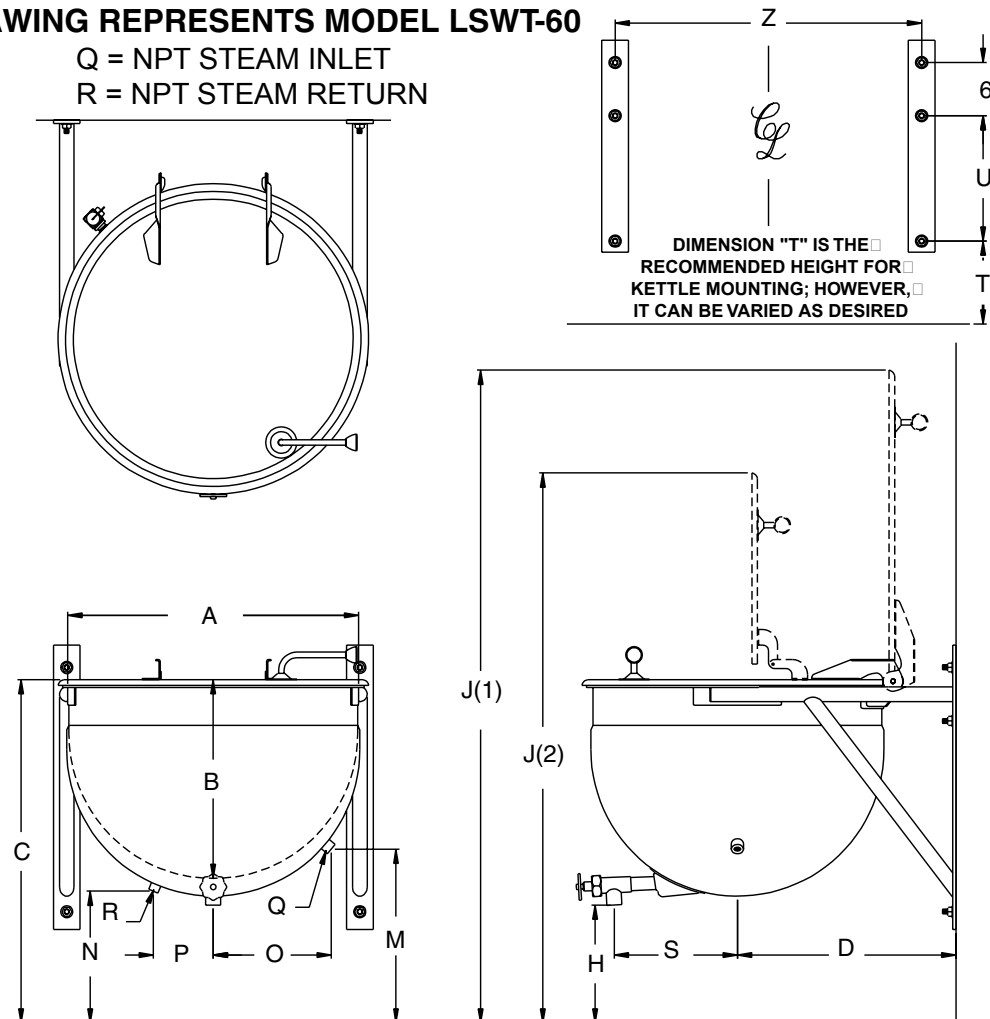
Model LSWT

Full Jacketed, Stationary
Deep Drawn Construction
Wall-Bracket Mounted
Made in USA

Direct Steam Kettle

DRAWING REPRESENTS MODEL LSWT-60

Q = NPT STEAM INLET
R = NPT STEAM RETURN



MODEL LSWT DIMENSIONS

GAL.	A	B	C	D	H*	J1	J2	M	N	O	P	Q	R	S	T	U	Z
20	23.0	15.0	31.4	8.0	13.9	57.4	47.5	17.8	15.0	8.8	5.0	.75	.50	13.0	8.6	16.5	23.5
25	25.5	15.5	30.0	19.3	13.0	58.5	48.0	16.4	14.2	8.7	5.3	.75	.50	13.0	7.3	16.5	26.0
40	29.5	19.0	35.3	21.8	13.3	67.8	58.8	17.3	14.5	10.2	6.0	.75	.50	14.0	7.5	21.5	30.0
50	29.5	21.8	36.3	21.8	13.3	68.8	61.0	17.3	14.5	10.2	6.0	1.00	.75	14.0	8.5	21.5	30.0
60	32.5	22.3	38.2	23.8	13.9	73.7	62.9	19.8	15.3	12.6	6.4	1.00	.75	14.0	10.5	21.5	33.0
80	39.0	22.0	37.4	28.0	13.3	79.4	62.3	19.5	14.4	14.3	6.4	1.00	.75	17.8	9.6	21.5	39.5
100	44.0	22.5	38.3	30.5	13.5	85.3	65.6	18.3	15.8	13.7	9.8	1.25	.75	19.7	10.5	21.5	44.5

*"H" dimension varies with draw-off size selection.

Revised 113



LEGION Legion Industries, Inc. P.O. Office Box 728 Waynesboro, GA 30830 (800) 887-1988
(706) 554-4411 Fax: (706) 554-2035 www.legionindustries.com sales@legionindustries.com