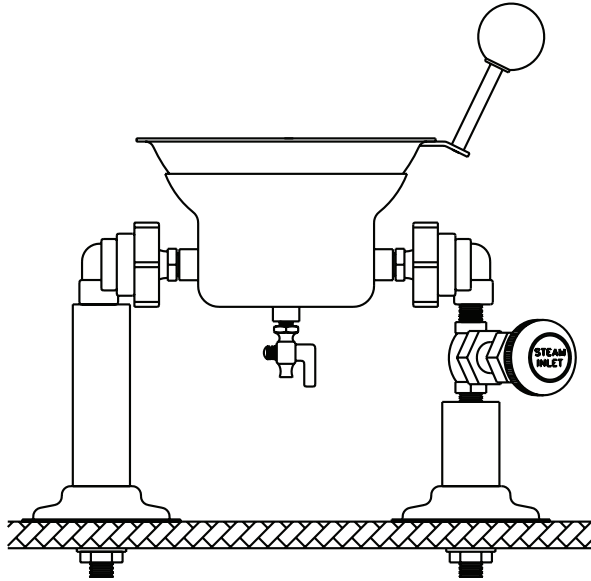


Direct Steam Kettle

2/3 Jacketed
Deep Draw Construction
Tilting, Table Mounted
Made in USA

Model OC

Standard Features



- ◆ 316L stainless liner
- ◆ 304L stainless kettle jacket
- ◆ 304 stainless insulating support tubes
- ◆ 45 psi operating pressure
- ◆ Steam supply control valve

Legion equipment is built to comply with applicable standards for manufacturers. Approval agencies may include ASME, NSF, UL, ETL, AGA, CSA, CGA and others. Legion reserves the right of design improvement or modification as warranted.

Models and Capacities

OC-28	28 oz.	(0.9l)
OC-90	90 oz.	(2.7l)

Optional Features and Accessories

See pricelist for supplemental information regarding options

Faucet Options:

- _Single or double faucet with bracket & 12" or 18" swing nozzle
 - _48" flexible spray hose assembly (pvc or stainless) for dual or single fill faucet
 - _Riser for table mounted fill faucet
 - _Automatic water filling meter
- (Call for information regarding additional faucet options)*

Covers:

- _Lift-off

Steam Trap Kits:

- _Steam trap kit, standard finish
- _Steam trap kit, bright nickel-plated finish

Other Options:

- _Air eliminator valve
- _Pressure reducing valve

Accessories:

- _Care kit

(Call for information regarding table configurations available)

Revision 404



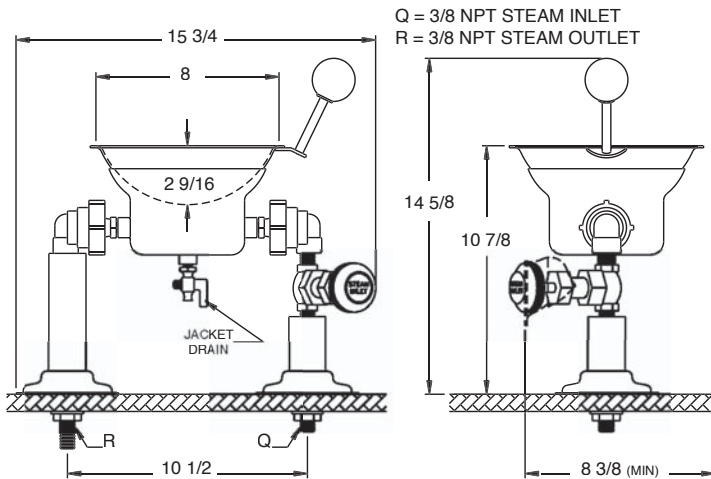
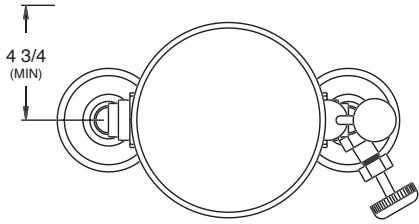
LEGION Legion Industries, Inc. ◆ P. O. Box F ◆ Dallas, PA ◆ 18612 ◆ (800) 833-9803
(570) 675-1595 ◆ Fax: (570) 675-7551 ◆ www.legionindustries.com ◆ sales@legionindustries.com

Model OC

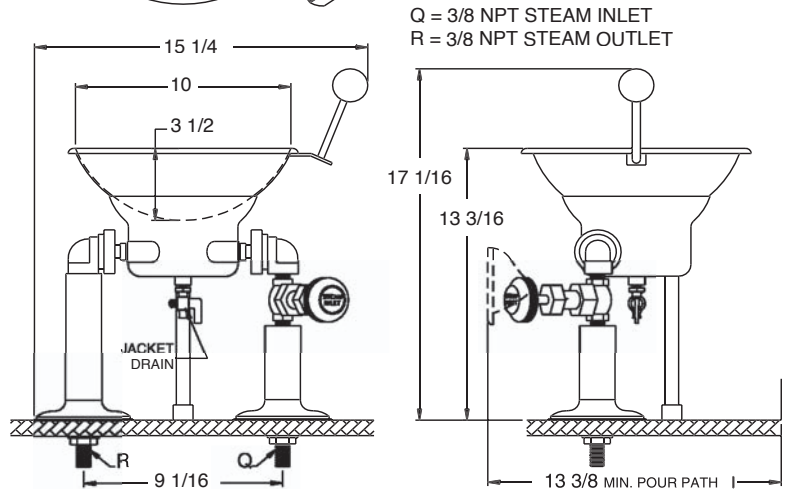
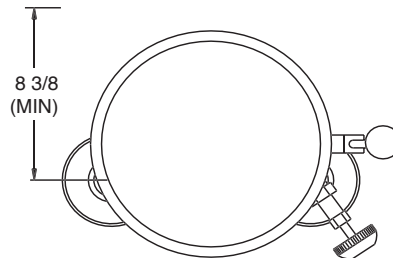
2/3 Jacketed
Deep Draw Construction
Tilting, Table Mounted
Made in USA

Direct Stam Kettle

DRAWING REPRESENTS 28 OUNCE OYSTER COOKER



DRAWING REPRESENTS 90 OUNCE OYSTER COOKER



Revision 404



LEGION Legion Industries, Inc. ♦ P. O. Box F ♦ Dallas, PA ♦ 18612 ♦ (800) 833-9803
(570) 675-1595 ♦ Fax: (570) 675-7551 ♦ www.legionindustries.com ♦ sales@legionindustries.com