

# Insulated Self-Contained Kettle

Electric, 2/3 Jacketed  
Insulated for Safety™  
Deep Drawn Construction  
Tilting, Table-Top Mounted  
Made in USA

# Model TEH

## Standard Features



**Model TEH-40**

- ◆ Kettle System
  - ◇ Seamless deep-drawn 304 kettle liner with a integrally formed radius lip
- ◆ 304L stainless kettle jacket
- ◆ Kettle protection system
  - ◇ Thermostat temperature control, 150°F - 285°F
  - ◇ Pressure relief valve
  - ◇ Pressure gauge
  - ◇ Jacket-water fill
  - ◇ Automatic low water cut off and indicator light
  - ◇ Field replaceable heating elements
- ◆ Full body insulation between kettle jacket and outer casing
- ◆ 304 stainless outer casing seam welded to radius lip
- ◆ 304 stainless, seam welded control console
- ◆ 304 stainless, reinforced base plate

Legion equipment is built to comply with applicable standards for manufacturers. Approval agencies may include ASME, NSF, UL, ETL, AGA, CSA, CGA and others. Legion reserves the right of design improvement or modification as warranted.

## Models and Capacities

TEH-20	20 qt.	19 l.
TEH-40	40 qt.	38 l.

## Optional Features and Accessories

See price list for supplemental information regarding options

### Faucet Options:

- \_ Single or dual faucet with bracket & 12" or 18" swing nozzle
- \_ 48" flexible spray hose assembly (vinyl or stainless) for dual or single faucet
- \_ Faucet bracket
- \_ Riser for table mounted fill faucet
- \_ Automatic water filling meter

*(Call for information regarding additional faucet options)*

### Other Options:

- \_ Table for one or two TEH kettles
- \_ Anti-splash screen for sliding drawer
- \_ Mixer/agitator, single speed
- \_ Pressure switch
- \_ Tilt locking device

### Accessories:

- \_ Care kit

### Prison/Security Options:

- \_ Fasteners (screws & nuts)
- \_ Nut driver tool
- \_ Screw driver tool
- \_ Lockable control cover

### Covers:

- \_ Lift-off cover

### Baskets:

- \_ Single basket insert
- \_ Nylon bag insert with spreader ring

Select Voltage:  208V  240V  380V  
 415V  440V  480V

Select Phase:  1Ø  3Ø

Revision 0113

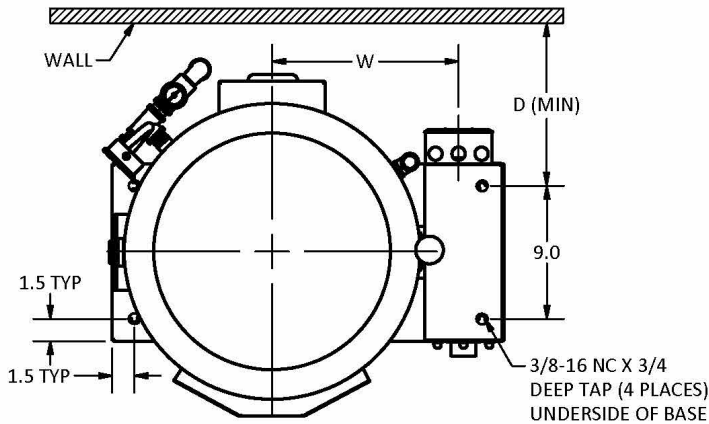


**LEGION** Legion Industries, Inc. P.O. Office Box 728 Waynesboro, GA 30830 (800) 887-1988  
(706) 554-4411 Fax: (706) 554-2035 www.legionindustries.com sales@legionindustries.com

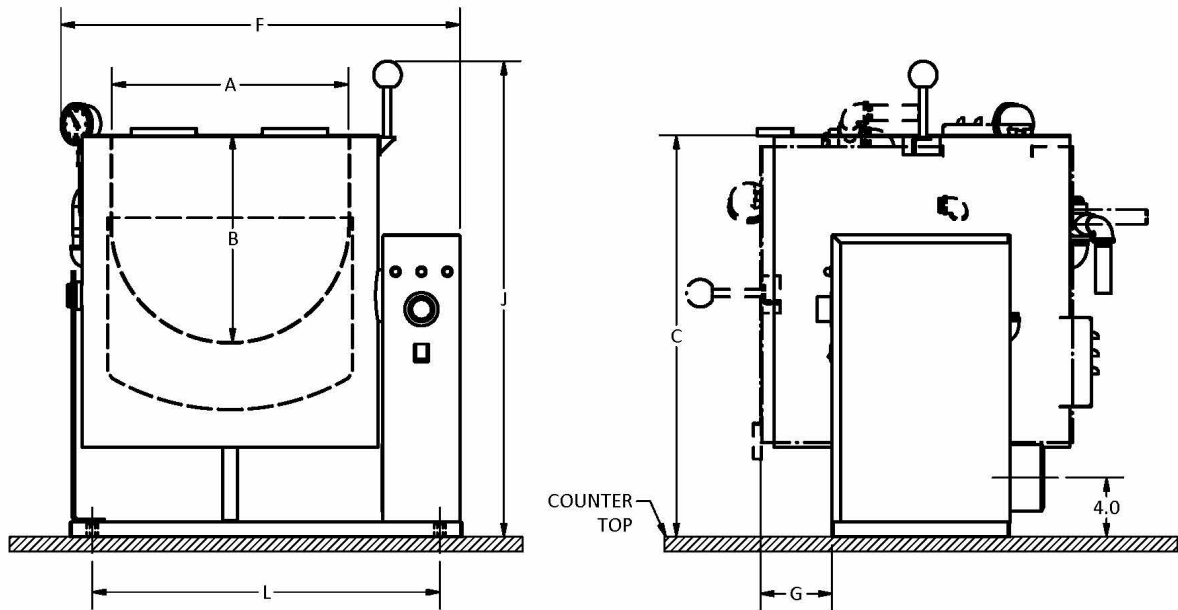
# Model TEH

Electric, 2/3 Jacketed  
Insulated for Safety™  
Deep Drawn Construction  
Tilting, Table-Top Mounted  
Made in USA

# Insulated Self- Contained Kettle



DRAWING REPRESENTS MODEL  
TEH-40



MODEL TEH DIMENSIONS									
QTS	A	B	C	D	F	G	J	L	W
20	14.0	9.9	27.2	11.0	26.5	4.8	32.2	23.5	11.6
40	16.0	14.0	27.2	11.0	27.0	4.8	32.2	23.5	12.6

MODEL TEH ELECTRICAL SPECIFICATIONS (Amperes per Leg)													
QTS.	KW	208 Volt		240 Volt		380 Volt		415 Volt		440 Volt		480 Volt	
		1Ø	3Ø	1Ø	3Ø	1Ø	3Ø	1Ø	3Ø	1Ø	3Ø	1Ø	3Ø
20	6	21.7	12.5	25.0	14.4	15.8	9.1	14.5	8.3	11.5	6.6	12.5	7.2
40	12	43.3	25.0	50.0	28.9	31.6	18.2	28.9	16.7	22.9	13.2	25.0	14.4

0113

