

Insulated Self-Contained Kettle

Electric, 2/3 Jacketed
Insulated for Safety™
Deep Drawn Construction
Tilting, Floor Mounted
Made in USA

Model TEH-F

Standard Features



Model TEH-10F

- ◆ Kettle System
 - ◇ Seamless deep-drawn 304 kettle liner with an integrally formed radius lip
- ◆ 304L stainless kettle jacket
- ◆ Kettle protection system
 - ◇ Thermostat temperature control, 150°F - 285°F
 - ◇ Pressure relief valve
 - ◇ Pressure gauge
 - ◇ Jacket-water fill
 - ◇ Automatic low water cut off and indicator light
 - ◇ Field replaceable heating elements
- ◆ Full body insulation between kettle jacket and outer casing
- ◆ 304 stainless outer casing seam welded to radius lip
- ◆ 304 stainless, seam welded control console
- ◆ 304 stainless, 2" tubular support frame
- ◆ 304 stainless, coved corner sliding drawer
- ◆ 304 stainless, pitched drain trough with 1 1/2" drain
- ◆ Adjustable flanged feet

Legion equipment is built to comply with applicable standards for manufacturers. Approval agencies may include ASME, NSF, UL, ETL, AGA, CSA, CGA and others. Legion reserves the right of design improvement or modification as warranted.

Models and Capacities

TEH-5F	20 qt.	19 l.
TEH-10F	40 qt.	38 l.

Optional Features and Accessories

See price list for supplemental information regarding options

Faucet Options:

- _ Single or dual faucet with bracket & 12" or 18" swing nozzle
 - _ 48" flexible spray hose assembly (vinyl or stainless) for dual or single faucet
 - _ Faucet bracket
 - _ Riser for table mounted fill faucet
 - _ Automatic water filling meter
- (Call for information regarding additional faucet options)*

Other Options:

- _ Anti-splash screen for sliding drawer
- _ Tilt locking device
- _ Mixer/agitator, single speed
- _ Pressure switch

Accessories:

- _ Care kit

Prison/Security Options:

- _ Fasteners (screws & nuts)
- _ Nut driver tool
- _ Screw driver tool
- _ Lockable control cover

Covers:

- _ Lift-off cover

Baskets:

- _ Single basket insert
- _ Nylon bag insert with spreader ring

Select Voltage: 208V 240V 380V
 415V 440V 480V

Select Phase: 1Ø 3Ø

Revision 0113



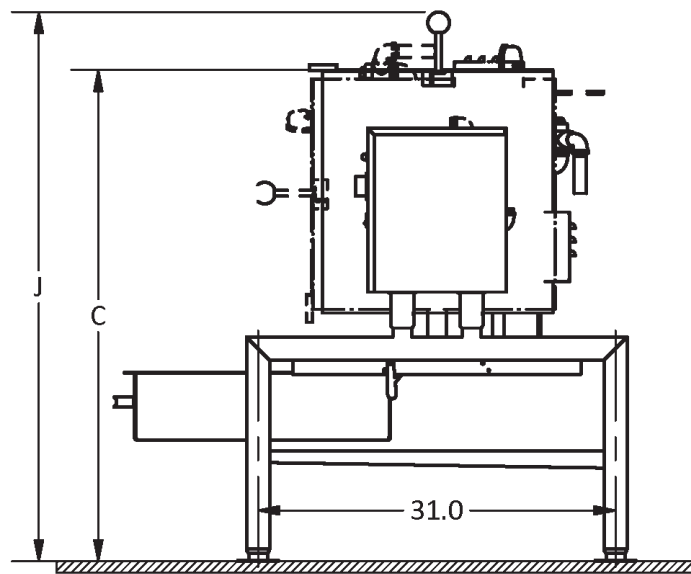
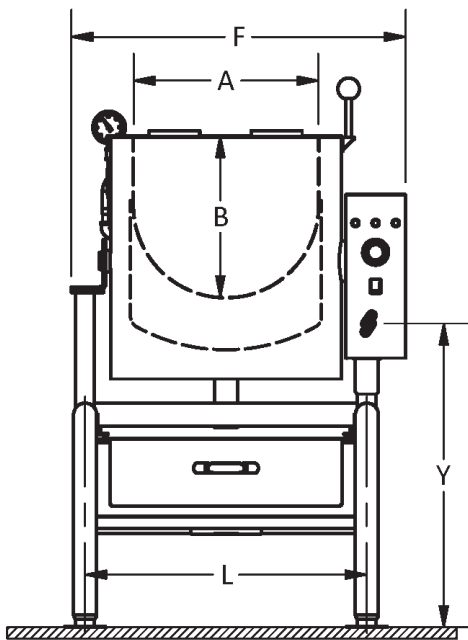
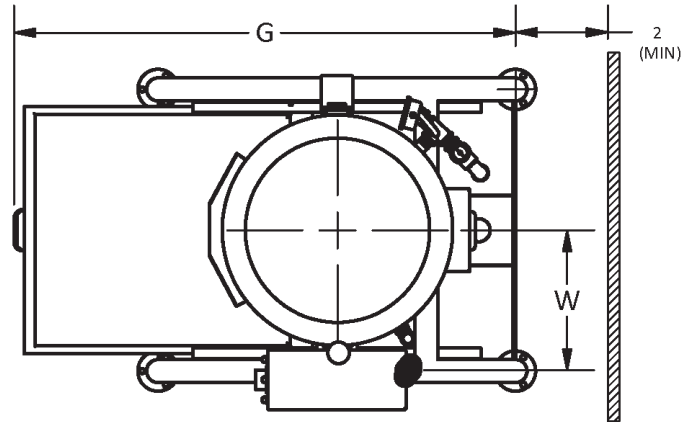
LEGION Legion Industries, Inc. P.O. Office Box 728 Waynesboro, GA 30830 (800) 887-1988
(706) 554-4411 Fax: (706) 554-2035 www.legionindustries.com sales@legionindustries.com

Model TEH-F

Electric, 2/3 Jacketed
Insulated for Safety™
Deep Draw Construction
Tilting, Floor Mounted
Made in USA

Insulated Self- Contained Kettle

DRAWING REPRESENTS
MODEL TEH-10F



MODEL TEH-F DIMENSIONS									
GAL.	A	B	C	F	G	J	L	W	Y
5	14.0	9.9	42.6	27.0	41.0	47.7	22.5	11.1	26.4
10	16.0	14.0	42.6	29.0	43.5	47.7	24.4	12.1	26.4

MODEL TEH-F ELECTRICAL SPECIFICATIONS (Amperes per Leg)													
GAL.	KW	208 Volt		240 Volt		380 Volt		415 Volt		440 Volt		480 Volt	
		1Ø	3Ø	1Ø	3Ø	1Ø	3Ø	1Ø	3Ø	1Ø	3Ø	1Ø	3Ø
5	6	21.7	12.5	25.0	14.4	15.8	9.1	14.5	8.3	11.5	6.6	12.5	7.2
10	12	43.3	25.0	50.0	28.9	31.6	18.2	28.9	16.7	22.9	13.2	25.0	14.4

0113

