

Tilting Skillet

Gas-Fired, Manual Tilting
Floor Mounted
Made in USA

Classic Model TGSE

Standard Features



Model TGSE-2440-9
(with optional 1.5" draw-off valve &
dual faucet with swing nozzle)

Legion equipment is built to comply with applicable standards for manufacturers. Approval agencies may include ASME, NSF, UL, ETL, AGA, CSA, CGA, and others. Legion reserves the right of design improvement or modification as warranted. U.S. Patent Nos. 5,553,531, 5,964,145 & Des. 371,715.

- ◆ 304 stainless seam welded pan body with:
 - ◇ Center trunnion mounted
 - ◇ Self-locking worm gear tilt mechanism
 - ◇ Rotation exceeds 90°
 - ◇ 304 stainless cooking surface
 - ◇ Electronic direct spark ignition
 - ◇ 120V, single phase (1Ø) standard
- ◆ Adjustable thermostat (175°F to 400°F)
- ◆ High limit safety thermostat
- ◆ Patented 304 stainless safety lid, seam welded with:
 - ◇ Actuator-assisted counterbalance
 - ◇ Full width condensate drip shield
 - ◇ Full width rear steam vent
 - ◇ 304 stainless safety handle
 - ◇ Single side-mounted safety handles
- ◆ 304 stainless, reinforced, water-resistant control console
- ◆ 304 stainless, tubular frame construction
- ◆ Adjustable bullet feet

Models and Capacities

Model	2.5" Insert Pans	Cooking Baskets	Griddle Area (in. ²)	Kettle (Gals.)	Oven Volume (ft. ³)
TGSE-2430-7	2	2	778	23	3.2
TGSE-2430-9	2	2	778	30	4.1
TGSE-2430-11	2	2	778	37	5.0
TGSE-2440-7	3	3	1029	31	4.2
TGSE-2440-9	3	3	1029	40	5.4
TGSE-2440-11	3	3	1029	49	6.6

Optional Features and Accessories

See price list for supplemental information regarding options

Faucet Options:

- _Single ball valve mounted to frame with 48" vinyl flexible spray hose assembly
 - _48" flexible spray hose assembly (vinyl or stainless) for use with dual or single fill faucet
 - _Automatic water filling meter
- (Call for information regarding additional faucet options)

Prison/Security Options:

- _Fasteners (screws & nuts)
- _Nut / screw driver tool
- _Lockable control cover
- _Lockable lid

Feet:

- _Adjustable flanged feet
- _Flexible gas hose 1/2" x 60"
- _Gas quick disconnect 1/2"
- _Casters (two each locking/non-locking type) & restraining devices
- _Restraining device kit

Accessories:

- _Perforated cooking/steaming basket (11" x 20½" x 5")
- _Perforated or solid 12 x 20 food pans, 2½, 4 or 6 inch deep
- _Draw-off drain spout
- _Draw-off strainer
- _Draw-off drain hose
- _#10 Can holder for draw-off
- _Flat bottom scoop
- _Fry scoop
- _Care kit
- _3 part tool for cleaning cooking surface
- _Pour lip pan holder assembly
- _Pour lip strainer

Other Options:

- _Electric timer with buzzer
- _In wall carrier for wall mounting

Select draw-off valve: 1.5" 2" 3"
 With: compression ball type fitting
 See price list for other draw-off options.
 Select Voltage: 120V 208V 240V
 Select Gas: Natural LP Other

Revision 113



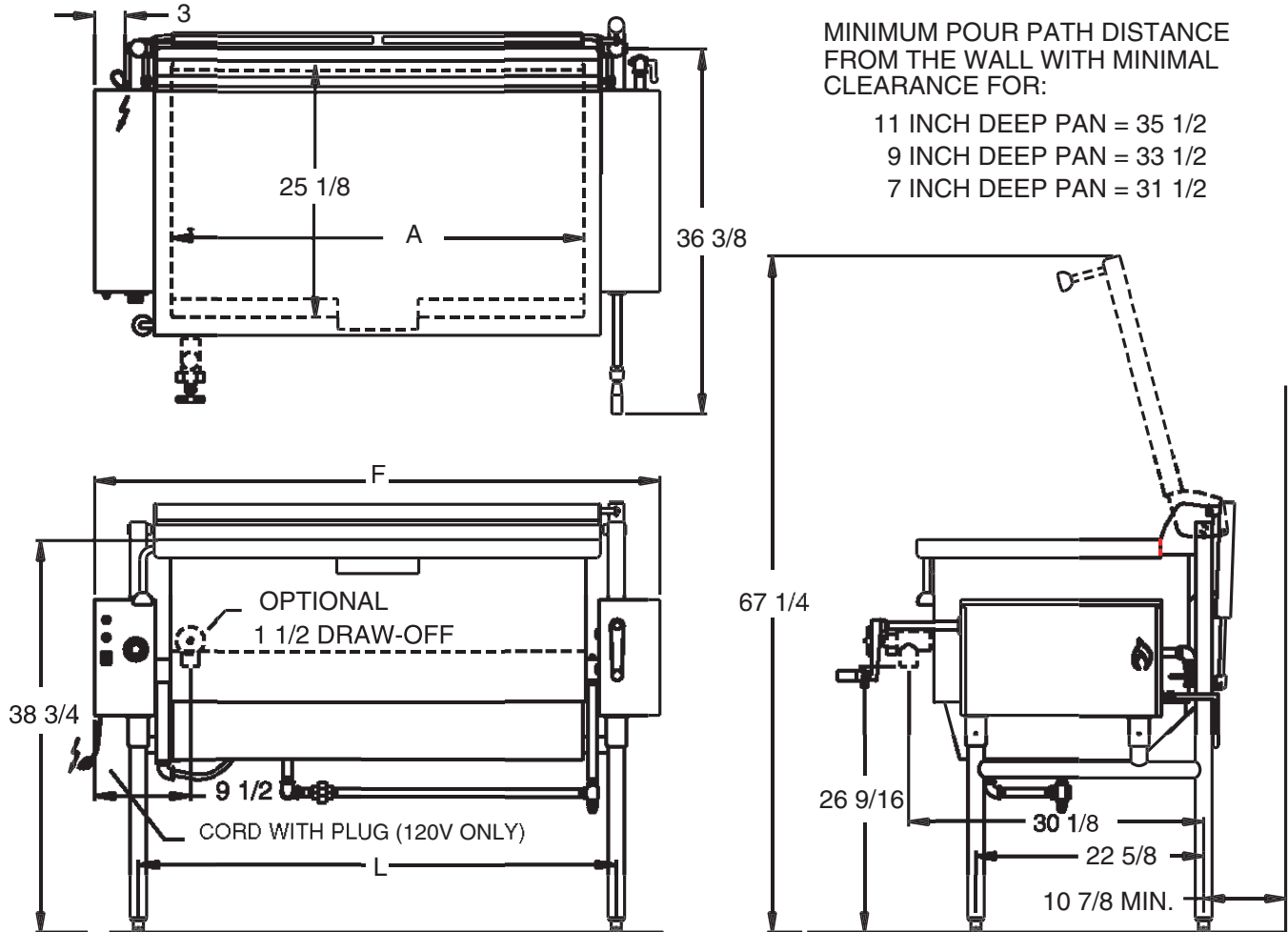
LEGION Legion Industries, Inc. P.O. Office Box 728 Waynesboro, GA 30830 (800) 887-1988
 (706) 554-4411 Fax: (706) 554-2035 www.legionindustries.com sales@legionindustries.com

Classic Model TGSE

Gas-Fired, Manual Tilting
Floor Mounted
Made in USA

Tilting Skillet

DRAWING REPRESENTS MODEL TGSE-2440-11 WITH OPTIONAL 1 1/2 DRAW-OFF



MINIMUM POUR PATH DISTANCE
FROM THE WALL WITH MINIMAL
CLEARANCE FOR:

- 11 INCH DEEP PAN = 35 1/2
- 9 INCH DEEP PAN = 33 1/2
- 7 INCH DEEP PAN = 31 1/2

CLASSIC TILTING SKILLET MODEL TGSE DIMENSIONS									
MODEL*	DEPTH	A	F	L	MODEL*	DEPTH	A	F	L
TGSE-2430-7	7	31.0	46.1	37.5	TGSE-2440-7	7	41.0	56.1	47.5
TGSE-2430-9	9	31.0	46.1	37.5	TGSE-2440-9	9	41.0	56.1	47.5
TGSE-2430-11	11	31.0	46.1	37.5	TGSE-2440-11	11	41.0	56.1	47.5

CLASSIC TILTING SKILLET MODEL TGSE GAS SPECIFICATIONS				
MODEL*	GAS RATING - BTU INPUT		GAS PRESSURE & PIPING SPECIFICATIONS	
	NATURAL	PROPANE	NATURAL	PROPANE
TGSE-2430-()	90,000	75,000	Piping - 1/2" IPS Inlet Pressure Range, 5.0 - 7.0 inches w.c.	Piping - 1/2" IPS Inlet Pressure Range, 12.0 - 14.0 inches w.c.
TGSE-2440-()	120,000	100,000	Outlet Pressure Settings, 3.5 inches w.c.	Outlet Pressure Settings, 10.0 inches w.c.

U.S. PATENT NOS. 5,553,531, 5,964,145 & DES. 371,715

Revision 113



LEGION Legion Industries, Inc. P.O. Office Box 728 Waynesboro, GA 30830 (800) 887-1988
(706) 554-4411 Fax: (706) 554-2035 www.legionindustries.com sales@legionindustries.com