

Direct Steam Kettle

**2/3 Jacketed
Deep Drawn Construction
Tilting, Floor Mounted
Made in USA**

Model TWT

Standard Features



Model TWT-40

- ◆ Kettle System
 - ◇ Seamless deep-drawn 304 kettle liner
 - ◇ 304L seamless deep-drawn stainless kettle jacket
- ◆ 304 stainless, reinforced gear box
- ◆ Self-locking worm tilt gear mechanism
- ◆ 304 stainless, 2" tubular support frame
- ◆ Adjustable flanged feet
- ◆ 30 psi operating pressure

Legion equipment is built to comply with applicable standards for manufacturers. Approval agencies may include ASME, NSF, UL, ETL, AGA, CSA, CGA, and others. Legion reserves the right of design improvement or modification as warranted.

Models and Capacities

TWT-20	20 gal.	(76 l.)
TWT-30	30 gal.	(114 l.)
TWT-40	40 gal.	(151 l.)
TWT-50	50 gal.	(189 l.)
TWT-60	60 gal.	(227 l.)
TWT-80	80 gal.	(303 l.)
TWT-100	100 gal.	(379 l.)

Select draw-off valve: 2" 3"

With: compression ball type fitting

See price list for other draw-off options.

Optional Features and Accessories

See price list for supplemental information regarding options

Faucet Options:

- Single or dual faucet with bracket & 12" or 18" swing nozzle
- .48" flexible spray hose assembly (pvc or stainless) for dual or single faucet
- Faucet bracket
- Automatic water filling meter

(Call for information regarding additional faucet options)

Prison/Security Options:

- Fasteners (screws & nuts)
- Tamper resistant pin torx key
- Reinforced bar rim

Other Options:

- Higher operating pressure
- Pressure reducing valve
- Air eliminator valve
- Mixer/agitator, 2 speed

Accessories:

- Draw-off drain with 6' hose
- Measuring strip
- Perforated strainer 1/8" or 1/4" holes
- Solid strainer

Covers:

- Lift-off
- 1 piece actuator-assisted

Steam Trap Kits:

- Steam trap kit, standard finish
- Steam trap kit, bright nickel-plated finish

Baskets:

- Single basket, 20 - 40 gal.
- Tri-basket insert
- Nylon bag insert with spreader ring

Revision 113



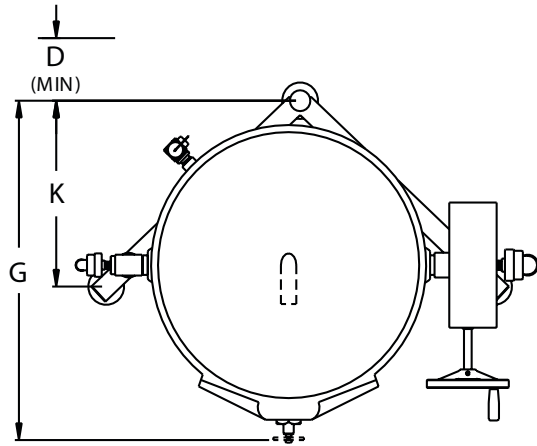
LEGION Legion Industries, Inc. P.O. Office Box 728 Waynesboro, GA 30830 (800) 887-1988
(706) 554-4411 Fax: (706) 554-2035 www.legionindustries.com sales@legionindustries.com

Model TWT

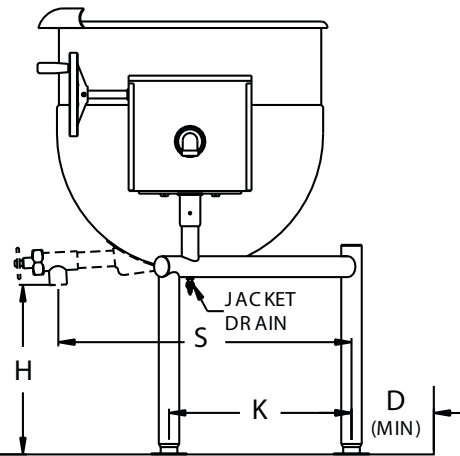
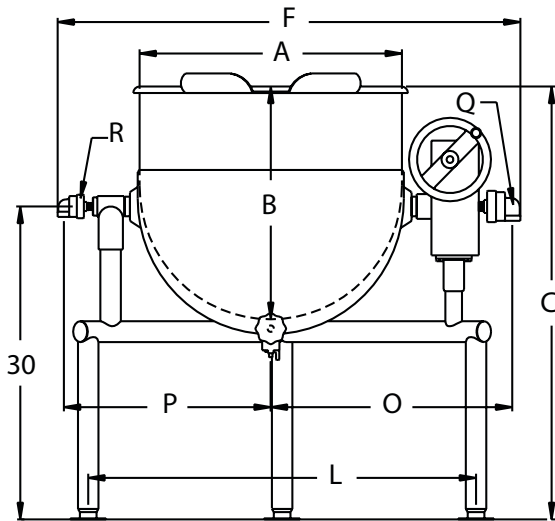
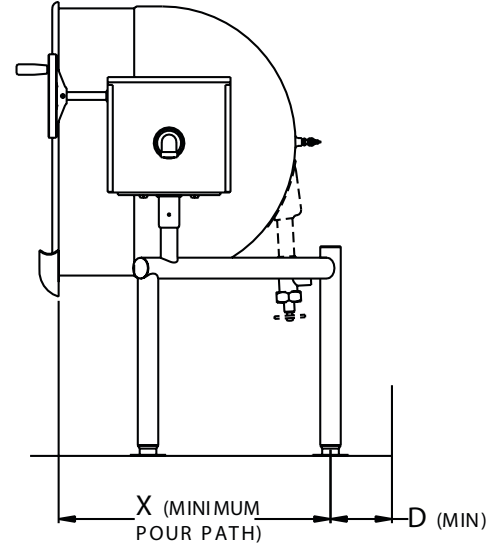
2/3 Jacketed
Deep Drawn Construction
Tilting, Floor Mounted
Made in USA

Direct Steam Kettle

DRAWING REPRESENTS MODEL TWT-40 WITH OPTIONAL 1 1/2" DRAW-OFF



Q = NPT STEAM INLET
R = NPT STEAM INLET



MODEL TWT DIMENSIONS

GAL.	A	B	C	D	F	G	H*	K	L	O	P	Q	R	S*	X
20	22.0	16.0	39.0	2.0	40.8	31.3	19.6	17.8	28.9	21.4	18.0	.75	.50	27.3	21.9
30	23.0	20.3	41.3	2.0	42.5	32.3	17.6	17.8	30.6	22.3	18.9	.75	.50	28.3	24.5
40	25.5	22.3	41.5	2.3	45.3	33.6	15.9	17.8	33.5	23.6	20.3	.75	.50	29.6	26.0
50	29.5	21.8	38.3	2.5	49.6	37.6	13.1	22.0	37.8	25.9	22.5	.75	.50	33.6	25.9
60	29.5	25.0	41.5	3.5	49.6	36.6	13.1	22.0	37.8	25.9	22.5	.75	.50	32.6	28.1
80	32.5	27.6	43.4	3.0	53.3	38.3	12.4	22.0	40.5	27.3	24.3	.75	.75	34.3	31.6
100	39.0	25.9	41.3	2.0	58.8	44.3	11.9	22.0	46.0	30.0	27.0	.75	.75	40.3	31.9

*Dimensions H & S apply only if an optional 2" draw-off is ordered. If a 3" draw-off is required, contact Legion for applicable dimensions.

