

# DIRECT STEAM KETTLE

2/3 JACKETED, STATIONARY  
LEG MOUNTED  
DEEP DRAWN CONSTRUCTION  
MADE IN USA

# MODEL LT

## STANDARD FEATURES



- ◆ **The Legion 316 Kettle System**
  - 316L stainless liner
  - 316 stainless draw-off tube and welds
  - 316 stainless 1 1/2" compression draw-off valve
- ◆ 304 stainless kettle jacket
- ◆ 304 stainless leg socket supports, seam welded to jacket
- ◆ 304 stainless legs provided with reinforced bracing
  - 3 legs for 10 - 40 gallon, 1 5/8" diameter
  - 3 legs for 50 - 80 gallon, 2" diameter
  - 4 legs for 100 - 150 gallon, 2" diameter
- ◆ Adjustable flanged feet
- ◆ 304 stainless, one piece, domed cover, actuator-assisted on 60 - 150 gallon
- ◆ 30 psi operating pressure up to 100 gallon; 25 psi for 125 - 150 gallon
- ◆ Perforated disk strainer, 1/4" holes

**Model LT-150**  
with optional 3" draw-off and draw-off protection

Legion equipment is built to comply with applicable standards for manufacturers. Approval agencies may include ASME, NSF, UL, ETL, AGA, CSA, CGA, and others. Legion reserves the right of design improvement or modification as warranted.

MODELS AND CAPACITIES			OPTIONAL FEATURES AND ACCESSORIES	
			See price list for supplemental information regarding options	
LT-10	10 gal.	(38 l.)	<input type="checkbox"/> Single or double fill faucet with bracket & 12 or 18" swing nozzle	<input type="checkbox"/> Connection plumbing parts kit
LT-20	20 gal.	(76 l.)	<input type="checkbox"/> 48" flexible spray hose assembly (vinyl or stainless) for use with dual or single fill faucet	<input type="checkbox"/> Draw-off drain hose
LT-30	30 gal.	(114 l.)	<input type="checkbox"/> Faucet bracket	<input type="checkbox"/> Measuring strip
LT-40	40 gal.	(151 l.)	<input type="checkbox"/> Automatic water filling meter	<input type="checkbox"/> Perforated disk strainer 1/8" holes
LT-50	50 gal.	(189 l.)	<i>(Call for information regarding additional faucet options)</i>	<input type="checkbox"/> Kettle care kit
LT-60	60 gal.	(227 l.)	<input type="checkbox"/> Single basket insert, 20 - 40 gallon	<input type="checkbox"/> Mixer/Agitator, 2 speed
LT-80	80 gal.	(303 l.)	<input type="checkbox"/> Tri-basket insert	<b>Prison/Security Options:</b>
LT-100	100 gal.	(379 l.)	<input type="checkbox"/> Nylon bag insert with spreader ring	<input type="checkbox"/> Fastener ( <i>nut for draw-off</i> )
LT-125	125 gal.	(473 l.)	<input type="checkbox"/> Lift-off cover	<input type="checkbox"/> Draw-off nut driver tool
LT-150	150 gal.	(568 l.)	<input type="checkbox"/> 1 piece actuator-assisted cover, 20 - 40 gallon	<input type="checkbox"/> Lockable lid
Select draw-off valve: <input type="checkbox"/> 1 1/2" <input type="checkbox"/> 2" <input type="checkbox"/> 3" With: <input type="checkbox"/> compression <input type="checkbox"/> ball type fitting See price list for other draw-off options.			<input type="checkbox"/> 2 piece hinged cover	<input type="checkbox"/> Draw-off protection
			<input type="checkbox"/> Higher operating pressure	<input type="checkbox"/> Reinforced bar rim
			<input type="checkbox"/> Air eliminator valve	
			<input type="checkbox"/> Pressure reducing valve	

Revision 500



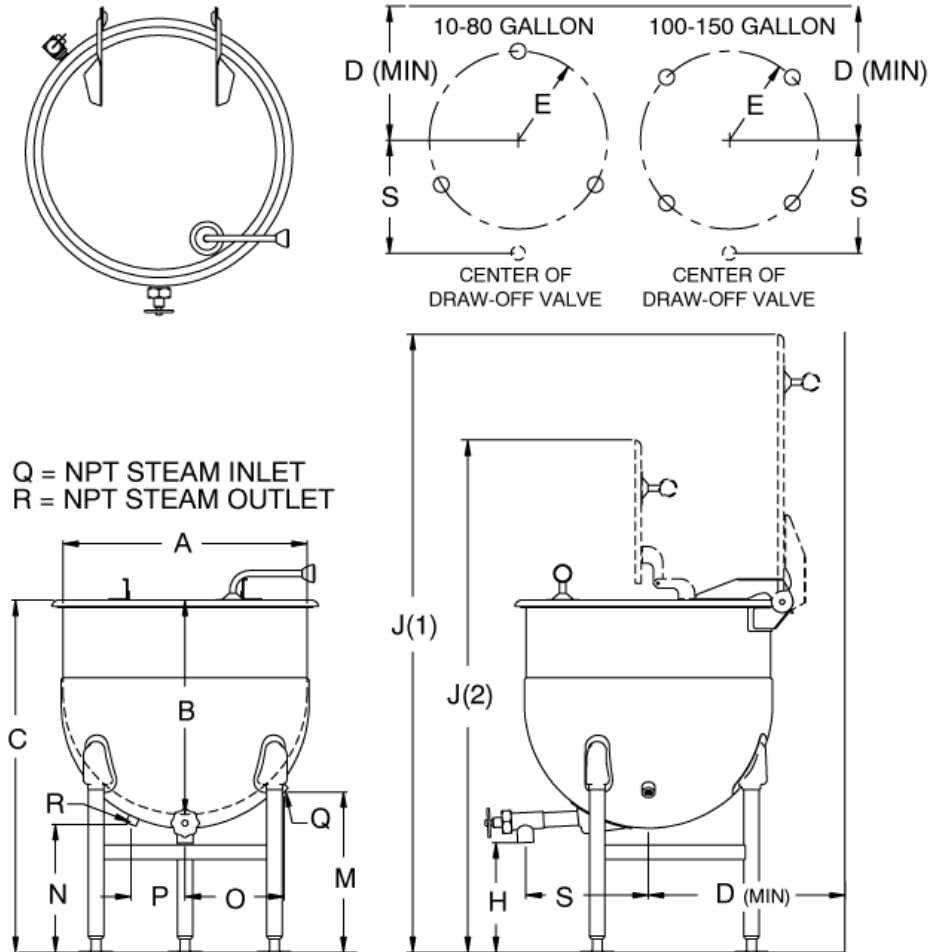
**LEGION** LEGION INDUSTRIES, INC. ♦ P.O. BOX F ♦ DALLAS, PA ♦ 18612  
(800) 833-9803 ♦ (570) 675-1595 ♦ Fax: (570) 675-7551 ♦ [www.legionindustries.com](http://www.legionindustries.com)

**MODEL  
LT**

**2/3 JACKETED, STATIONARY  
LEG MOUNTED  
DEEP DRAWN CONSTRUCTION  
MADE IN USA**

**DIRECT STEAM  
KETTLE**

DRAWING REPRESENTS MODEL LT-40



**MODEL LT DIMENSIONS**

GAL.	A	B	C*	D	E	H*	J1*	J2*	M	N	O	P	Q	R	S*
10	16.0	14.0	29.5	17.0	7.1	13.5	48.5	41.0	15.3	14.7	5.1	4.3	.50	.50	10.3
20	22.0	16.0	31.0	20.0	10.2	13.5	56.0	46.2	16.7	14.7	7.9	5.0	.75	.50	13.0
30	23.0	20.3	35.6	20.5	10.2	13.9	61.6	51.8	17.3	15.0	8.3	5.0	.75	.50	13.0
40	25.5	22.3	36.8	21.8	11.4	13.0	65.3	54.8	17.4	14.2	9.7	5.3	.75	.50	13.0
50	29.5	21.8	36.5	23.8	12.2	13.3	69.0	60.0	17.6	14.7	10.5	6.4	.75	.50	14.0
60	29.5	25.0	39.7	23.8	12.4	13.2	72.2	63.2	17.6	14.7	10.5	6.4	.75	.50	14.0
80	32.5	27.6	43.0	25.3	12.4	13.9	78.5	67.8	17.9	15.2	10.7	6.4	1.00	.75	14.0
100	39.0	25.9	40.7	28.5	14.2	13.3	82.7	65.6	18.3	14.4	13.0	6.4	1.00	.75	17.8
125	44.0	26.4	41.4	31.0	19.4	13.5	88.4	68.8	18.3	15.8	13.7	9.8	1.25	.75	19.7
150	44.0	30.4	45.4	31.0	19.4	13.5	92.4	72.8	18.3	15.8	13.7	9.8	1.25	.75	19.7

\*Dimensions on these drawings are applicable only when using a 1.5" diameter draw-off valve. If a 2" or 3" diameter draw-off valve is required, contact Legion for applicable dimensions.

Revision 500



**LEGION** LEGION INDUSTRIES, INC. ♦ P.O. BOX F ♦ DALLAS, PA ♦ 18612  
(800) 833-9803 ♦ (570) 675-1595 ♦ Fax: (570) 675-7551 ♦ [www.legionindustries.com](http://www.legionindustries.com)