

DIRECT STEAM KETTLE

**DIRECT STEAM
DEEP DRAWN CONSTRUCTION
MADE IN USA**

MODEL LTCR

STANDARD FEATURES



Model LTCR-60 shown with custom dispensing faucet

- ◆ **The Legion 316 Kettle System**
 - ◇ 316 stainless liner
 - ◇ 316 stainless draw-off tube and welds
 - ◇ 316 stainless 1 1/2" compression draw-off valve
- ◆ 304 stainless kettle jacket
- ◆ 304 stainless leg socket supports, welded to jacket
- ◆ 304 stainless legs provided with reinforced bracing
 - ◇ 3 legs for 40 - 60 gallon, 1 5/8" diameter
 - ◇ 4 legs for 80 - 150 gallon, 2" diameter
- ◆ 30 psi operating pressure up to 125 gallon; 25 psi for 150 gallon
- ◆ 304 stainless outer casing seam welded to radius lip
- ◆ 304 stainless, seam welded control console
- ◆ 304 stainless, one piece, domed cover
- ◆ Recirculating pump with automatic timer and manual control
- ◆ Graduated, break-resistant coffee level sight glass
- ◆ Gridded riser basket with canvas coffee bag and stainless spreader ring
- ◆ Bag removal hoist
- ◆ Water fill connection
- ◆ Adjustable flanged feet

Legion equipment is built to comply with applicable standards for manufacturers. Approval agencies may include ASME, NSF, UL, ETL, AGA, CSA, CGA, and others. Legion reserves the right of design improvement or modification as warranted.

MODELS AND CAPACITIES			OPTIONAL FEATURES AND ACCESSORIES				
			See price list for supplemental information regarding options				
LTCR-40	40 gal.	(151 l.)	<input type="checkbox"/> Draw-off drain with 6 foot hose <input type="checkbox"/> Pressure switch <input type="checkbox"/> Higher operating pressure <input type="checkbox"/> Air eliminator valve <input type="checkbox"/> Pressure reducing valve <input type="checkbox"/> Elevated draw-off faucet <input type="checkbox"/> Automatic water filling meter <input type="checkbox"/> Water supply plumbing assembly <input type="checkbox"/> Connection plumbing parts kit <input type="checkbox"/> Full body insulation <input type="checkbox"/> Stainless mesh cloth coffee filter in lieu of fabric Prison/Security Options: <input type="checkbox"/> Fasteners (<i>screws & nuts</i>) <input type="checkbox"/> Nut driver tool <input type="checkbox"/> Screw driver tool <input type="checkbox"/> Draw-off nut driver tool <input type="checkbox"/> Lockable lid <input type="checkbox"/> Lockable control cover <input type="checkbox"/> Draw-off protection	PUMP MOTOR OPTIONS			
LTCR-60	60 gal.	(227 l.)		Voltage	Phase	Amps	H.P.
LTCR-80	80 gal.	(303 l.)		115	1	5.2	1/3
LTCR-100	100 gal.	(379 l.)		220	1	3.2	1/3
LTCR-125	125 gal.	(473 l.)		230	1	2.6	1/3
LTCR-150	150 gal.	(568 l.)		208	3	1.4	1/3
				230	3	1.2	1/3
			460	3	.6	1/3	

Revision 999

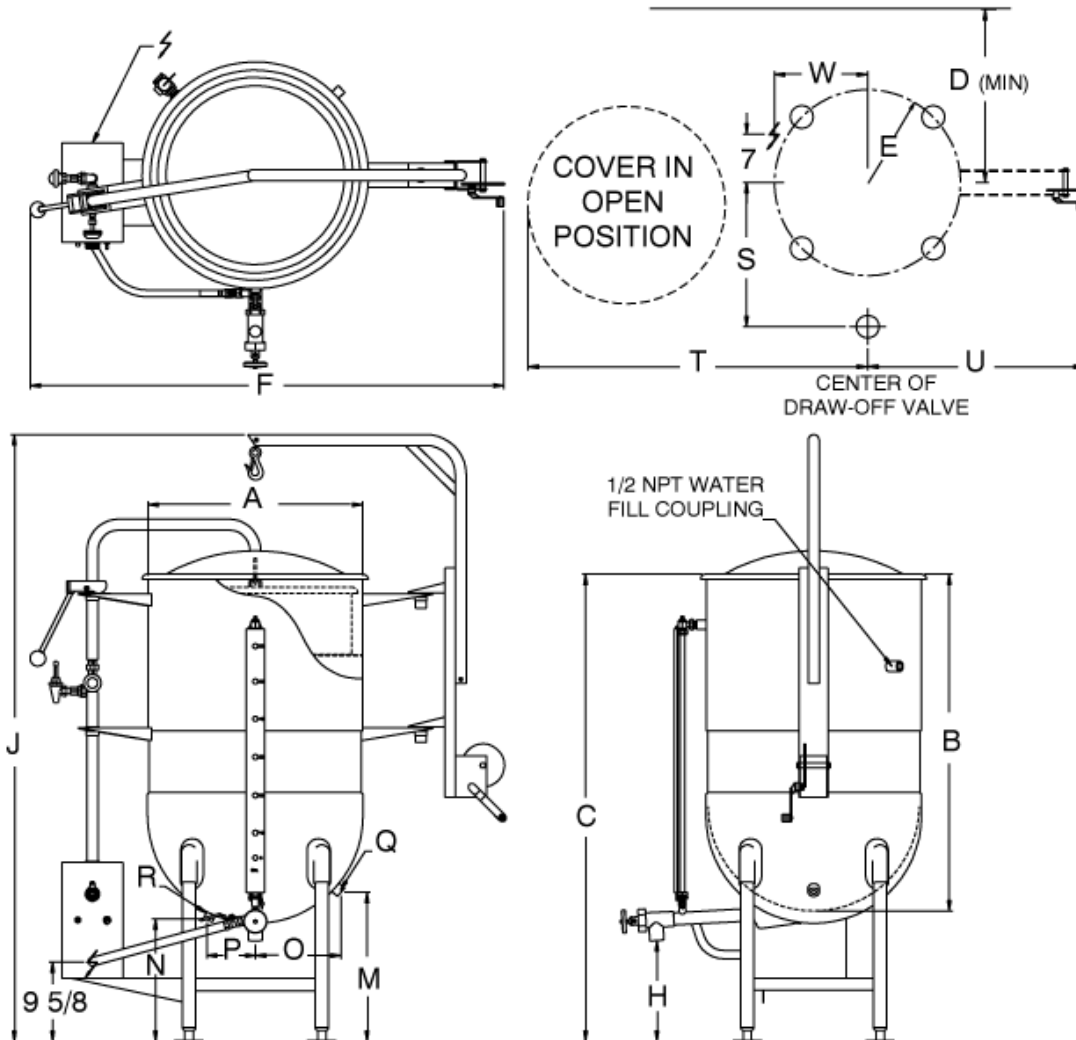


MODEL LTCR

**DIRECT STEAM
DEEP DRAWN CONSTRUCTION
MADE IN USA**

DIRECT STEAM KETTLE

DRAWING REPRESENTS MODEL LTCR-60 WITH OPTIONAL ELEVATED SWING FAUCET



COFFEE KETTLE DIMENSIONS

GAL.	A	B	C	D	E	F	H	J	M	N	O	P	Q	R	S	T	U	W
40	23.0	35.5	51.3	18.6	12.5	54.6	12.5	68.3	17.0	14.6	8.5	5.3	.75	.50	17.0	49.1	28.9	18.4
60	25.5	40.5	56.3	19.9	14.2	58.0	12.5	73.3	18.0	14.6	10.4	5.6	.75	.50	18.4	52.9	30.1	19.6
80	29.5	41.5	58.3	26.9	15.0	59.0	12.5	74.3	18.5	15.8	10.8	6.4	.75	.50	20.4	58.9	32.1	21.6
100	32.5	42.5	59.5	28.5	15.0	62.0	12.8	81.0	18.5	15.8	10.8	6.4	1.00	.75	21.5	63.4	33.6	23.1
125	Special design available upon request																	
150	Special design available upon request																	

Revision 999



LEGION

The Finest American Quality Since 1897

LEGION INDUSTRIES, INC. ♦ 69 MAIN ST. ♦ DALLAS, PA 18612 ♦ (800) 833-9803 ♦ (570) 675-1575 ♦ FAX: (570) 675-7551