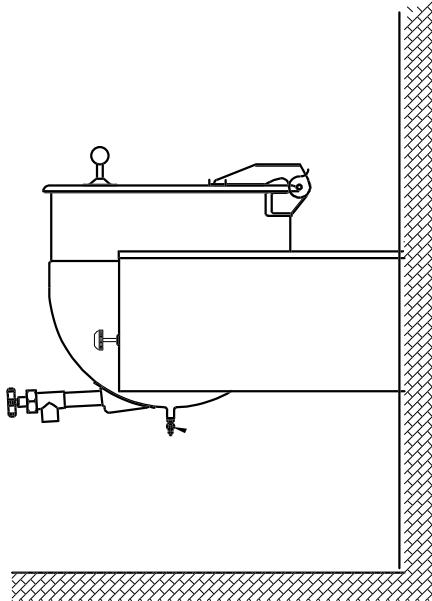


DIRECT STEAM KETTLE

2/3 JACKETED, STATIONARY
WALL-CONSOLE MOUNTED
DEEP DRAWN CONSTRUCTION
MADE IN USA

MODEL LTWC

STANDARD FEATURES



Model LTWC

- ◆ **The Legion 316 Kettle System**
 - ◇ 316 stainless liner
 - ◇ 316 stainless draw-off tube and welds
 - ◇ 316 stainless 1 1/2" compression draw-off valve
- ◆ 304 stainless kettle jacket
- ◆ 304 stainless, reinforced console boxes
- ◆ Connection plumbing parts installed in console with rear connection.
- ◆ 304 stainless, one piece, domed cover, actuator-assisted on 60 - 100 gallon
- ◆ 30 psi operating pressure
- ◆ Perforated disk strainer, 1/4"

Legion equipment is built to comply with applicable standards for manufacturers. Approval agencies may include ASME, NSF, UL, ETL, AGA, CSA, CGA, and others. Legion reserves the right of design improvement or modification as warranted.

MODELS AND CAPACITIES			OPTIONAL FEATURES AND ACCESSORIES	
			See price list for supplemental information regarding options	
LTWC-20	20 gal.	(76 l.)	<input type="checkbox"/> Single or double fill faucet with bracket & 12 or 18" swing nozzle	<input type="checkbox"/> Draw-off drain hose
LTWC-30	30 gal.	(114 l.)	<input type="checkbox"/> 48" flexible spray hose assembly (vinyl or stainless) for use with dual or single fill faucet	<input type="checkbox"/> Measuring strip
LTWC-40	40 gal.	(151 l.)	<input type="checkbox"/> Faucet bracket	<input type="checkbox"/> Perforated disk strainer 1/8" holes
LTWC-50	50 gal.	(189 l.)	<input type="checkbox"/> Automatic water filling meter	<input type="checkbox"/> Kettle care kit
LTWC-60	60 gal.	(227 l.)	<i>(Call for information regarding additional faucet options)</i>	<input type="checkbox"/> Mixer/Agitator, 2 speed
LTWC-80	80 gal.	(303 l.)	<input type="checkbox"/> Single basket insert, 20 - 40 gallon	<input type="checkbox"/> In-wall carrier for wall mounting
LTWC-100	100 gal.	(379 l.)	<input type="checkbox"/> Tri-basket insert	
Select draw-off valve: <input type="checkbox"/> 1 1/2" <input type="checkbox"/> 2" <input type="checkbox"/> 3" With: <input type="checkbox"/> compression <input type="checkbox"/> ball type fitting See price list for other draw-off options.			<input type="checkbox"/> Nylon bag insert with spreader ring	Prison/Security Options:
			<input type="checkbox"/> Lift-off cover	<input type="checkbox"/> Fastener (<i>screws & nuts</i>)
			<input type="checkbox"/> 1 piece actuator-assisted cover, 20 - 40 gallon	<input type="checkbox"/> Nut driver tool
			<input type="checkbox"/> 2 piece hinged cover	<input type="checkbox"/> Draw-off nut driver tool
			<input type="checkbox"/> Higher operating pressure	<input type="checkbox"/> Screw driver tool
			<input type="checkbox"/> Air eliminator valve	<input type="checkbox"/> Lockable lid
			<input type="checkbox"/> Pressure reducing valve	<input type="checkbox"/> Reinforced bar rim
			<input type="checkbox"/> Full body insulation	

Revision 999



LEGION The Finest American Quality Since 1897

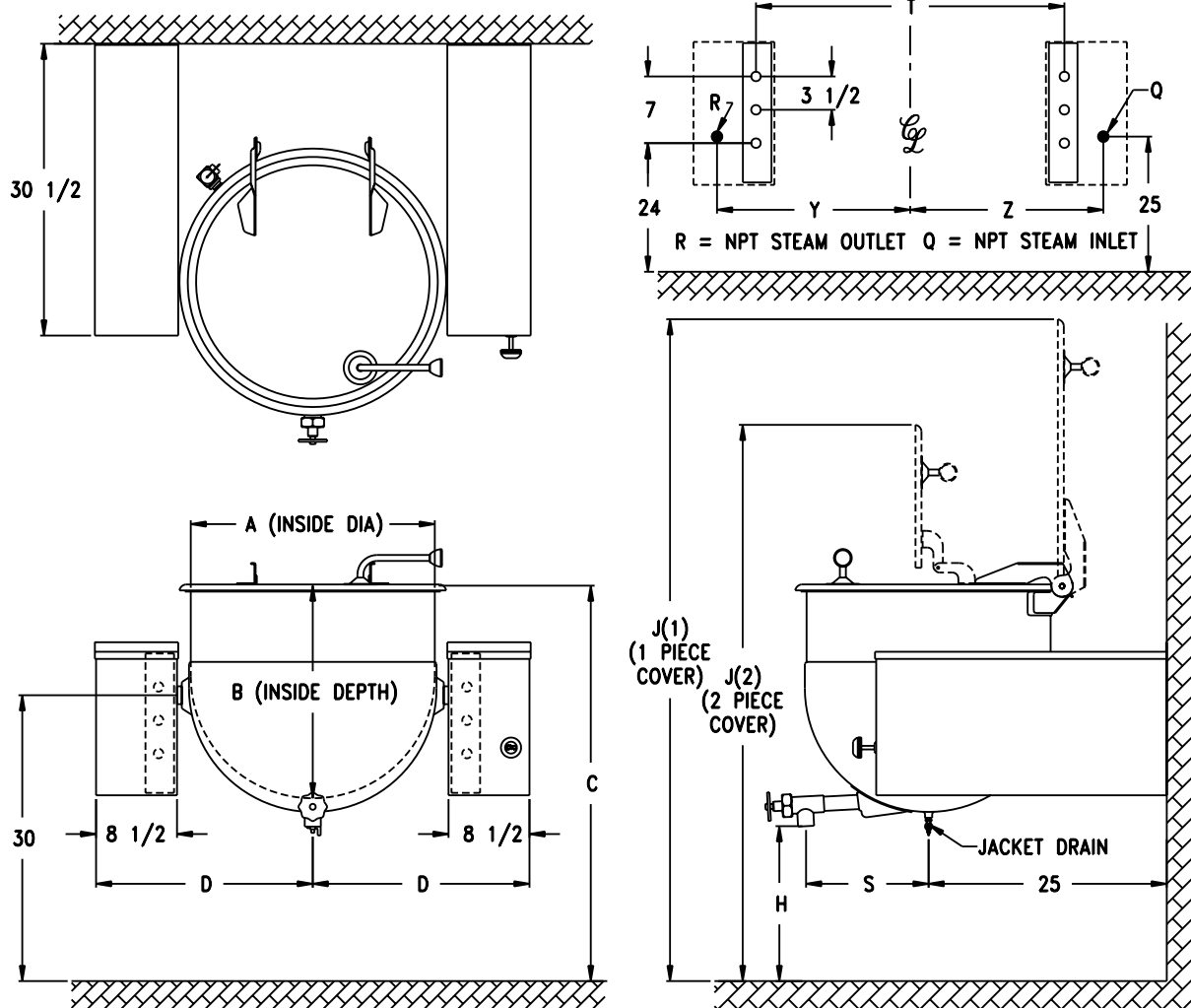
LEGION INDUSTRIES, INC. ♦ 69 MAIN ST. ♦ DALLAS, PA 18612 ♦ (800) 833-9803 ♦ (570) 675-1575 ♦ FAX: (570) 675-7551

MODEL LTWC

2/3 JACKETED, STATIONARY
WALL-CONSOLE MOUNTED
DEEP DRAWN CONSTRUCTION
MADE IN USA

DIRECT STEAM KETTLE

DRAWING REPRESENTS MODEL LTWC 40



MODEL LTWC DIMENSIONS

GAL.	A	B	C*	D	H*	J1*	J2*	Q	R	S*	T	Y & Z
20	22.0	16.0	39.0	20.6	21.5	64.0	54.2	.75	.50	13.0	28.0	18.1
30	23.0	20.3	41.3	21.5	19.5	67.3	57.4	.75	.50	13.0	29.8	19.0
40	25.5	22.3	41.5	22.9	17.8	70.0	59.5	.75	.50	13.0	32.5	20.4
50	29.5	21.8	38.3	25.1	15.0	70.8	61.8	.75	.50	14.0	36.9	22.6
60	29.5	25.0	41.5	25.1	15.0	74.0	65.0	.75	.50	14.0	36.9	22.6
80	32.5	27.6	43.4	26.5	14.3	78.9	68.1	.75	.75	14.0	39.6	24.0
100	39.0	25.9	41.3	28.9	13.9	83.3	66.2	.75	.75	17.8	44.5	26.4

*Dimensions on these drawings are applicable only when using a 1.5" diameter draw-off valve. If a 2" or 3" diameter draw-off valve is required, contact Legion for applicable dimensions.

Revision 999



LEGION The Finest American Quality Since 1897

LEGION INDUSTRIES, INC. ♦ 69 MAIN ST. ♦ DALLAS, PA 18612 ♦ (800) 833-9803 ♦ (570) 675-1575 ♦ FAX: (570) 675-7551