

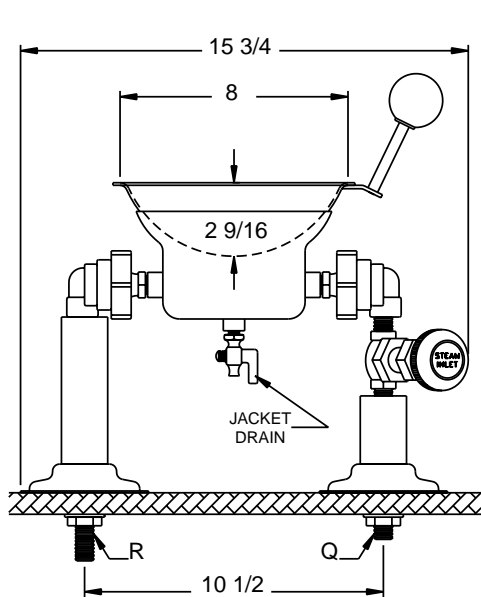
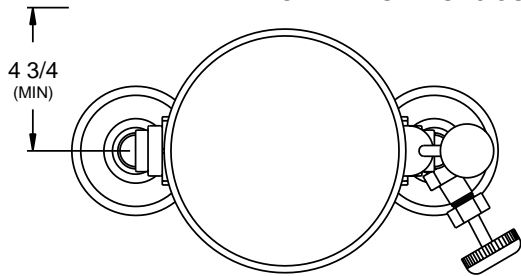
DIRECT STEAM KETTLE

2/3 JACKETED, TILTING
TABLE-TOP MOUNTED
DEEP DRAWN CONSTRUCTION
MADE IN USA

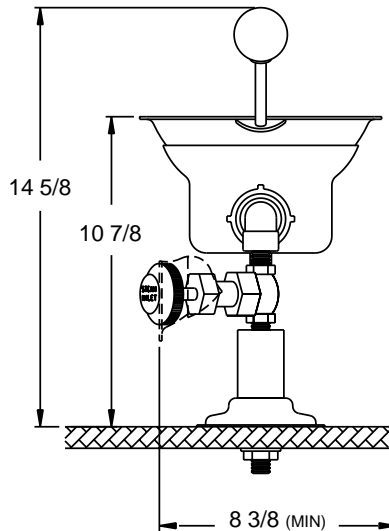
MODEL OC-28

STANDARD FEATURES

DRAWING REPRESENTS 28 OUNCE OYSTER COOKER



Q = 3/8 NPT STEAM INLET
R = 3/8 NPT STEAM OUTLET



- ◆ 316 stainless liner
- ◆ 304 stainless kettle jacket
- ◆ 304 stainless insulating support tubes
- ◆ 45 psi operating pressure
- ◆ Steam supply control valve

Legion equipment is built to comply with applicable standards for manufacturers. Approval agencies may include ASME, NSF, UL, ETL, AGA, CSA, CGA, and others. Legion reserves the right of design improvement or modification as warranted.

MODELS AND CAPACITIES			OPTIONAL FEATURES AND ACCESSORIES	
			See price list for supplemental information regarding options	
OC-28	28 oz.	(0.9 l.)	<input type="checkbox"/> Single or double fill faucet with bracket & 12 or 18" swing nozzle <input type="checkbox"/> 48" flexible spray hose assembly (vinyl or stainless) for use with dual or single fill faucet <input type="checkbox"/> Riser for table mounted fill faucet <input type="checkbox"/> Automatic water filling meter <input type="checkbox"/> Copper or Brass Finish (Call for information regarding additional faucet options)	<input type="checkbox"/> Connection plumbing parts kit <input type="checkbox"/> Kettle care kit <input type="checkbox"/> Lift-off cover <input type="checkbox"/> Pressure reducing valve (Call for information regarding table configurations available)

Revision 999



LEGION® The Finest American Quality Since 1897

LEGION INDUSTRIES, INC. ◆ 69 MAIN ST. ◆ DALLAS, PA 18612 ◆ (800) 833-9803 ◆ (570) 675-1575 ◆ FAX: (570) 675-7551

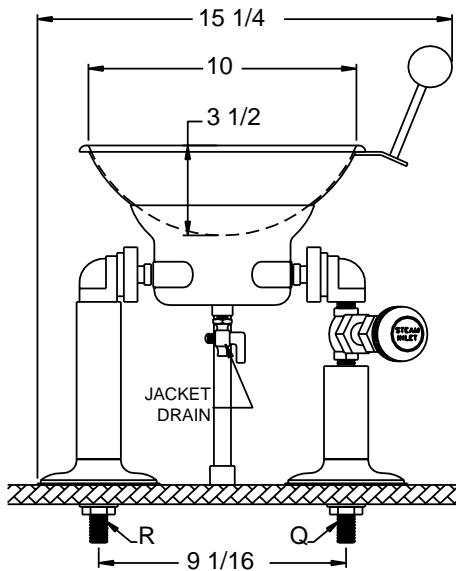
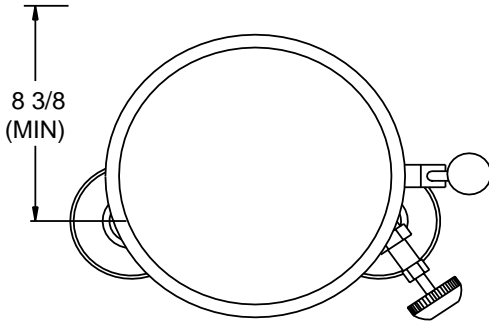
**MODEL
OC-90**

**2/3 JACKETED, TILTING
TABLE-TOP MOUNTED
DEEP DRAWN CONSTRUCTION
MADE IN USA**

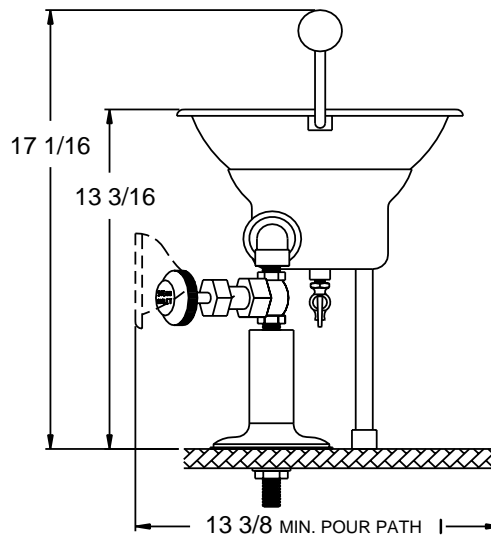
**DIRECT STEAM
KETTLE**

STANDARD FEATURES

DRAWING REPRESENTS 90 OUNCE OYSTER COOKER



Q = 3/8 NPT STEAM INLET
R = 3/8 NPT STEAM OUTLET



- ◆ 316 stainless liner
- ◆ 304 stainless kettle jacket
- ◆ 304 stainless insulating support tubes
- ◆ 45 psi operating pressure
- ◆ Steam supply control valve

Legion equipment is built to comply with applicable standards for manufacturers. Approval agencies may include ASME, NSF, UL, ETL, AGA, CSA, CGA, and others. Legion reserves the right of design improvement or modification as warranted.

MODELS AND CAPACITIES			OPTIONAL FEATURES AND ACCESSORIES	
OC-90	90 oz.	(2.7 l.)	See price list for supplemental information regarding options	
			<input type="checkbox"/> Single or double fill faucet with bracket & 12 or 18" swing nozzle <input type="checkbox"/> 48" flexible spray hose assembly (vinyl or stainless) for use with dual or single fill faucet <input type="checkbox"/> Riser for table mounted fill faucet <input type="checkbox"/> Automatic water filling meter <input type="checkbox"/> Copper or Brass Finish <i>(Call for information regarding additional faucet options)</i>	<input type="checkbox"/> Connection plumbing parts kit <input type="checkbox"/> Kettle care kit <input type="checkbox"/> Lift-off cover <input type="checkbox"/> Pressure reducing valve <i>(Call for information regarding table configurations available)</i>

Revision 999



LEGION The *Finest American Quality Since 1897*

LEGION INDUSTRIES, INC. ◆ 69 MAIN ST. ◆ DALLAS, PA 18612 ◆ (800) 833-9803 ◆ (570) 675-1575 ◆ FAX: (570) 675-7551