

SELF-CONTAINED KETTLE

ELECTRIC, INSULATED
STATIONARY, FLOOR MOUNTED
DEEP DRAWN CONSTRUCTION
MADE IN USA

MODEL LEC / HEC

STANDARD FEATURES



Model LEC-40

- ◆ **The Legion 316 Kettle System**
 - ◇ 316 stainless liner
 - ◇ 316 stainless draw-off tube and welds
 - ◇ 316 stainless 1 1/2" compression draw-off valve
- ◆ 304 stainless kettle jacket
- ◆ Kettle protection system
 - ◇ 30 psi safety valve and maximum operating pressure
 - ◇ Pressure gauge
 - ◇ Jacket-water fill
 - ◇ Thermostat temperature control
 - ◇ Automatic low water cut off and indicator light
 - ◇ Field replaceable heating elements
- ◆ Full body insulation between kettle jacket and outer casing
- ◆ 304 stainless outer casing seam welded to radius lip
- ◆ 304 stainless, seam welded control console
- ◆ 304 stainless, one piece, domed cover, actuator-assisted on 60 - 80 gallon
- ◆ Perforated disc strainer, 1/4" holes
- ◆ Adjustable bullet feet

Legion equipment is built to comply with applicable standards for manufacturers. Approval agencies may include ASME, NSF, UL, ETL, AGA, CSA, CGA, and others. Legion reserves the right of design improvement or modification as warranted.

MODELS AND CAPACITIES			OPTIONAL FEATURES AND ACCESSORIES	
			See price list for supplemental information regarding options	
LEC-20 HEC-20	20 gal.	(76 l.)	<input type="checkbox"/> Single or double fill faucet with bracket & 12 or 18" swing nozzle <input type="checkbox"/> 48" flexible spray hose assembly (vinyl or stainless) for use with dual or single fill faucet <input type="checkbox"/> Faucet bracket <input type="checkbox"/> Automatic water filling meter <i>(Call for information regarding additional faucet options)</i> <input type="checkbox"/> Single basket insert, 20 - 40 gallon <input type="checkbox"/> Tri-basket insert <input type="checkbox"/> Nylon bag insert with spreader ring <input type="checkbox"/> Lift-off cover <input type="checkbox"/> 1 piece actuator-assisted cover, 20 - 40 gallon <input type="checkbox"/> 2 piece hinged cover <input type="checkbox"/> Adjustable flanged feet <input type="checkbox"/> Pressure switch	<input type="checkbox"/> Electric indicating timer with buzzer <input type="checkbox"/> Draw-off drain hose <input type="checkbox"/> Measuring strip <input type="checkbox"/> Perforated disk strainer, 1/8" holes <input type="checkbox"/> Kettle care kit <input type="checkbox"/> Mixer/Agitator, 2 speed Prison/Security Options: <input type="checkbox"/> Fasteners (<i>screws & nuts</i>) <input type="checkbox"/> Nut driver tool <input type="checkbox"/> Draw-off nut driver tool <input type="checkbox"/> Screw driver tool <input type="checkbox"/> Lockable control cover <input type="checkbox"/> Lockable lid <input type="checkbox"/> Draw-off protection
LEC-30 HEC-30	30 gal.	(114 l.)		
LEC-40 HEC-40	40 gal.	(151 l.)		
LEC-60 HEC-60	60 gal.	(227 l.)		
LEC-80 HEC-80	80 gal.	(303 l.)		
Select draw-off: <input type="checkbox"/> 1 1/2" <input type="checkbox"/> 2" <input type="checkbox"/> 3" With: <input type="checkbox"/> Compression <input type="checkbox"/> Ball type fitting Select voltage: <input type="checkbox"/> 208V <input type="checkbox"/> 240V <input type="checkbox"/> 380V <input type="checkbox"/> 415V <input type="checkbox"/> 440V <input type="checkbox"/> 480V Select phase: <input type="checkbox"/> 1Ø <input type="checkbox"/> 3Ø				

Revision 999



MODEL LEC / HEC

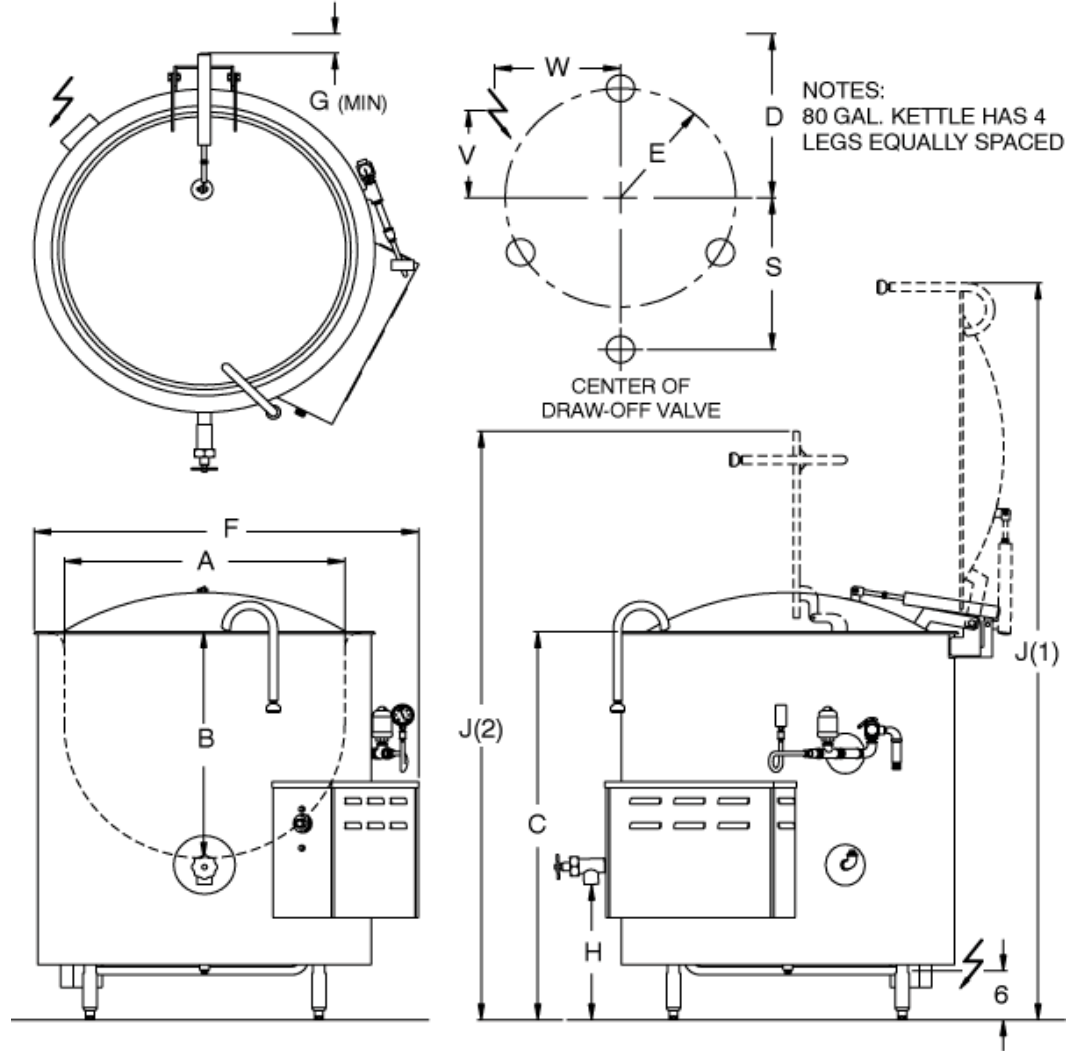
ELECTRIC, INSULATED
STATIONARY, FLOOR MOUNTED
DEEP DRAW CONSTRUCTION
MADE IN USA

SELF-CONTAINED KETTLE

DRAWING REPRESENTS 80 GALLON MODEL

MODEL LEC/HEC DIMENSIONS					
GAL.	20	30	40	60	80
A	22.0	23.0	25.5	29.5	32.5
B	16.0	20.3	22.3	25.0	27.6
C*	32.4	37.6	39.9	44.0	46.9
D	22.0	22.6	24.3	26.1	28.0
E	13.5	13.9	15.3	17.3	18.8
F	34.0	35.0	37.4	41.4	44.4
G	4.0	4.0	4.0	4.0	4.0
H*	12.9	14.3	14.0	15.4	15.6
J(1)*	64.3	70.4	75.0	83.0	89.4
J(2)*	49.5	55.8	59.6	66.1	71.0
S*	16.5	17.0	18.3	20.3	21.8
V	11.5	11.9	12.9	14.3	15.4
W	11.5	11.9	12.9	14.3	15.4

*Dimensions on these drawings are applicable only when using a 1.5" diameter draw-off valve. If a 2" or 3" diameter draw-off valve is required, contact Legion for applicable dimensions.



MODEL LEC ELECTRICAL SPECIFICATIONS (Amperes per Leg)														MODEL HEC ELECTRICAL SPECIFICATIONS (Amperes per Leg)													
GAL.	KW	208 VOLT		240 VOLT		380 VOLT		415 VOLT		440 VOLT		480 VOLT		KW	208 VOLT		240 VOLT		380 VOLT		415 VOLT		440 VOLT		480 VOLT		
		1Ø	3Ø	1Ø	3Ø	1Ø	3Ø	1Ø	3Ø	1Ø	3Ø	1Ø	3Ø		1Ø	3Ø	1Ø	3Ø	1Ø	3Ø	1Ø	3Ø	1Ø	3Ø	1Ø	3Ø	
20	9.0	43.3	25.0	37.5	21.7	23.7	13.7	21.7	12.5	20.5	11.8	18.8	10.8	12.0	57.7	33.3	50.0	28.9	31.6	18.2	28.9	16.7	27.3	15.7	25.0	14.4	
30	12.0	57.7	33.3	50.0	28.9	31.6	18.2	28.9	16.7	27.3	15.7	25.0	14.4	24.0	115.4	66.6	100.0	57.7	63.2	36.5	57.8	33.4	54.5	31.5	50.0	28.9	
40	15.0	72.1	41.6	62.5	36.1	39.5	22.8	36.1	20.9	34.1	19.7	31.3	18.0	24.0	115.4	66.6	100.0	57.7	63.2	36.5	57.8	33.4	54.5	31.5	50.0	28.9	
60	24.0	115.4	66.6	100.0	57.7	63.2	36.5	57.8	33.4	54.5	31.5	50.0	28.9	36.0	173.1	99.9	150.0	86.6	94.7	54.7	86.7	50.1	81.8	47.2	75.0	43.3	
80	30.0	144.2	83.3	125.0	72.2	78.9	45.6	72.3	41.7	68.2	39.4	62.5	36.1	36.0	173.1	99.9	150.0	86.6	94.7	54.7	86.7	50.1	81.8	47.2	75.0	43.3	

Revision 999



LEGION

The Finest American Quality Since 1897

LEGION INDUSTRIES, INC. ♦ 69 MAIN ST. ♦ DALLAS, PA 18612 ♦ (800) 833-9803 ♦ (570) 675-1575 ♦ FAX: (570) 675-7551