

SELF-CONTAINED KETTLE

**Gas-Fired, 2/3 Jacket
Insulated for Safety™
Deep Drawn Construction
Floor Mounted, Made in USA**

Model LGB

STANDARD FEATURES



Low-Rim™ Model LGB-40F and Standard Model LGB-40

Both models are shown to give a comparison of rim height & width

See Model LGB-F specification sheet for details on the Low-Rim™ Series

- ◆ **The Legion 316L Kettle System**
 - ◇ 316L stainless liner
 - ◇ 316L stainless draw-off tube and welds
 - ◇ 316 stainless 1 1/2" compression draw-off valve
- ◆ 304L stainless kettle jacket
- ◆ Kettle protection system
 - ◇ Thermostat temperature control, 150°F - 260°F
 - ◇ Pressure relief valve
 - ◇ Air eliminator valve
 - ◇ Pressure gauge
 - ◇ Jacket-water fill and sight glass
 - ◇ Automatic low water cut off and indicator light
 - ◇ Safety pilot control
- ◆ Full body insulation between kettle jacket and outer casing
- ◆ Electronic ignition, 120V standard
- ◆ 304 stainless outer casing seam welded to radius lip
- ◆ 304 stainless, seam welded control console
- ◆ 304 stainless, one piece, domed cover actuator-assisted on 50 - 125 gallon
- ◆ Perforated disc strainer, 1/4" holes
- ◆ Adjustable bullet feet

Legion equipment is built to comply with applicable standards for manufacturers. Approval agencies may include ASME, NSF, UL, ETL, AGA, CSA, CGA, and others. Legion reserves the right of design improvement or modification as warranted.

MODELS AND CAPACITIES			OPTIONAL FEATURES AND ACCESSORIES	
			See price list for supplemental information regarding options	
LGB-20	20 gal.	(76 l.)	<input type="checkbox"/> Single or double fill faucet with bracket & 12" or 18" swing nozzle	<input type="checkbox"/> Measuring strip
LGB-25	25 gal.	(95 l.)	<input type="checkbox"/> 48" flexible spray hose assembly (vinyl or stainless) for dual or single fill faucet	<input type="checkbox"/> Perforated disk strainer, 1/8" holes
LGB-30	30 gal.	(114 l.)	<input type="checkbox"/> Faucet bracket	<input type="checkbox"/> Kettle care kit
LGB-40	40 gal.	(114 l.)	<input type="checkbox"/> Automatic water filling meter <i>(Call for information regarding additional faucet options)</i>	<input type="checkbox"/> Kettle tools (see specification sheet)
LGB-50	50 gal.	(151 l.)	<input type="checkbox"/> Single basket insert, 15 - 30 gallon	<input type="checkbox"/> 1/2" gas quick disconnect
LGB-60	60 gal.	(227 l.)	<input type="checkbox"/> Tri-basket insert	<input type="checkbox"/> Flexible gas hose, 1/2" x 60"
LGB-80	80 gal.	(303 l.)	<input type="checkbox"/> Nylon bag insert with spreader ring	<input type="checkbox"/> Higher voltage electronic ignition
LGB-100	100 gal.	(379 l.)	<input type="checkbox"/> Lift-off cover	<input type="checkbox"/> Mixer/Agitator, 2 speed
LGB-125	125 gal.	(474 l.)	<input type="checkbox"/> 1 piece actuator-assisted cover, 20 - 40 gallon	
			<input type="checkbox"/> 2 piece hinged cover	Prison/Security Options:
			<input type="checkbox"/> Adjustable flanged feet	<input type="checkbox"/> Fasteners (<i>screws & nuts</i>)
			<input type="checkbox"/> Pressure switch	<input type="checkbox"/> Nut driver tool
			<input type="checkbox"/> Electric indicating timer with buzzer	<input type="checkbox"/> Draw-off nut driver tool
			<input type="checkbox"/> Draw-off drain hose	<input type="checkbox"/> Screw driver tool
				<input type="checkbox"/> Lockable control cover
				<input type="checkbox"/> Lockable lid
				<input type="checkbox"/> Draw-off protection

Select draw-off: 1½" 2" 3"
 With: Compression Ball type fitting
 Select voltage: 120V 208V 240V
 Select gas: Natural LP Other



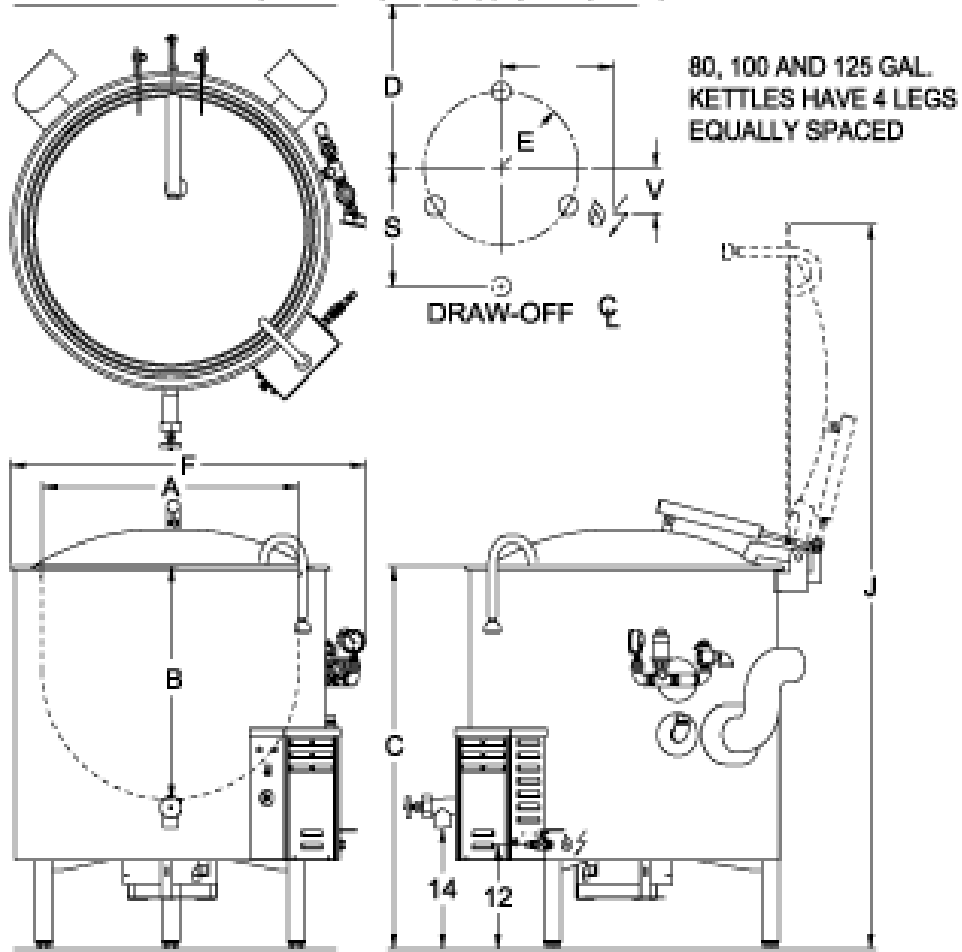
LEGION LEGION INDUSTRIES, INC. ♦ POST OFFICE BOX F ♦ DALLAS, PA 18612
 (800) 833-9803 ♦ (570) 675-1595 ♦ FAX: (570) 675-7551 ♦ www.legionindustries.com

Model LGB

Gas-Fired, 2/3 Jacket Insulated for Safety™
 Deep Drawn Construction
 Floor Mounted, Made in USA

SELF-CONTAINED KETTLE

DRAWING REPRESENTS 60 GALLON MODEL



MODEL LGB DIMENSIONS

GAL.	20	25	30	40	50	60	80	100	125
A	22.0	23.0	23.0	25.5	29.5	29.5	32.5	39.0	44.0
B	16.0	17.8	20.3	22.3	21.8	25.0	27.6	25.9	26.4
C*	32.0	34.4	37.1	42.0	38.4	41.7	45.1	43.4	43.3
D	24.1	24.6	24.6	25.8	27.8	27.8	29.3	32.6	35.1
E	12.9	13.4	13.4	14.6	16.6	16.6	18.1	21.4	23.9
F	34.4	35.4	35.4	37.1	41.1	41.1	44.1	50.6	55.6
J*	64.0	67.4	70.1	77.5	77.9	81.2	87.6	92.4	97.3
S*	17.2	17.7	17.7	18.9	20.9	20.9	22.4	25.7	28.2
V	6.8	7.1	7.1	8.0	9.4	9.4	10.5	12.8	14.6
W	16.2	16.5	16.5	17.4	18.8	18.8	19.9	22.2	24.0

MODEL LGB GAS & ELECTRIC SPECIFICATIONS

GAL.	BTU RATING		NATURAL	PROPANE	ELECTRICAL
	NATURAL	PROPANE			
20	63,167	59,588	Piping: 1/2" IPS	Piping: 1/2" IPS	120 volt (standard) 208/240 volt (optional) 50/60 Hz 1 phase 1 amp
25	66,725	67,798			
30	66,725	67,798			
40	79,855	83,052	Piping: 3/4" IPS	Piping: 3/4" IPS	50/60 Hz 1 phase 1 amp
50	106,759	108,476			
60	106,759	108,476	Supply pressure: 5-7" W.C. (nominal)	Supply pressure: 12-14" W.C. (nominal)	
80	131,353	131,093			
100	154,836	149,155	Outlet Pressure Factory setting: 3.5" W. C.	Outlet Pressure Factory setting: 9.0" W. C.	
125	154,836	149,155			

Revision 1200

*Dimensions on these drawings are applicable only when using a 1.5" diameter draw-off valve. If a 2" or 3" diameter draw-off valve is required, contact Legion for applicable dimensions.

