

SELF-CONTAINED KETTLE

Gas-Fired, Full Jacket
Insulated for Safety™
Deep Drawn Construction
Floor Mounted, Made in USA

Low-Rim™ Series Model LGB-F

STANDARD FEATURES



Models LGB-40F and LGB-80F Low-Rim™ Kettles

Shown with Optional Kettle Tools

See Model LGB specification to compare to standard height kettles

◆ **The Legion 316L Kettle System**

- ◇ 316L stainless liner
- ◇ 316L stainless draw-off tube and welds
- ◇ 316 stainless 1 1/2" compression draw-off valve

◆ 304L stainless kettle jacket

◆ Kettle protection system

- ◇ Thermostat temperature control, 150°F - 260°F
- ◇ Pressure relief valve
- ◇ Air eliminator valve
- ◇ Pressure gauge
- ◇ Jacket-water fill and sight glass
- ◇ Automatic low water cut off and indicator light
- ◇ Safety pilot control

◆ Full body insulation between kettle jacket and outer casing

◆ Electronic ignition, 120V standard

◆ 304 stainless outer casing seam welded to radius lip

◆ 304 stainless, seam welded control console

◆ 304 stainless, one piece, domed cover actuator-assisted on 40 - 100 gallon

◆ Perforated disc strainer, 1/4" holes

◆ Adjustable bullet feet

Legion equipment is built to comply with applicable standards for manufacturers. Approval agencies may include ASME, NSF, UL, ETL, AGA, CSA, CGA, and others. Legion reserves the right of design improvement or modification as warranted.

MODELS AND CAPACITIES			OPTIONAL FEATURES AND ACCESSORIES	
			See price list for supplemental information regarding options	
LGB-15F	15gal.	(57 l.)	<input type="checkbox"/> Single or double fill faucet with bracket & 12" or 18" swing nozzle	<input type="checkbox"/> Draw-off drain hose
LGB-20F	20 gal.	(76 l.)	<input type="checkbox"/> 48" flexible spray hose assembly (vinyl or stainless) for dual or single fill faucet	<input type="checkbox"/> Measuring strip
LGB-25F	25 gal.	(95 l.)	<input type="checkbox"/> Faucet bracket	<input type="checkbox"/> Perforated disk strainer, 1/8" holes
LGB-30F	30 gal.	(114 l.)	<input type="checkbox"/> Automatic water filling meter <i>(Call for information regarding additional faucet options)</i>	<input type="checkbox"/> Kettle care kit
LGB-40F	40 gal.	(151 l.)	<input type="checkbox"/> Single basket insert, 15 - 30 gallon	<input type="checkbox"/> Kettle tools (see specification sheet)
LGB-60F	60 gal.	(227 l.)	<input type="checkbox"/> Tri-basket insert	<input type="checkbox"/> 1/2" gas quick disconnect
LGB-80F	80 gal.	(303 l.)	<input type="checkbox"/> Nylon bag insert with spreader ring	<input type="checkbox"/> Flexible gas hose, 1/2" x 60"
LGB-100F	100 gal.	(379 l.)	<input type="checkbox"/> Lift-off cover	<input type="checkbox"/> Higher voltage electronic ignition
Select draw-off: <input type="checkbox"/> 1 1/2" <input type="checkbox"/> 2" <input type="checkbox"/> 3"			<input type="checkbox"/> 1 piece actuator-assisted cover, 15 - 30 gallon	<input type="checkbox"/> Mixer/Agitator, 2 speed
With: <input type="checkbox"/> Compression <input type="checkbox"/> Ball type fitting			<input type="checkbox"/> 2 piece hinged cover	Prison/Security Options:
Select voltage: <input type="checkbox"/> 120V <input type="checkbox"/> 208V <input type="checkbox"/> 240V			<input type="checkbox"/> Adjustable flanged feet	<input type="checkbox"/> Fasteners (<i>screws & nuts</i>)
Select gas: <input type="checkbox"/> Natural <input type="checkbox"/> LP <input type="checkbox"/> Other			<input type="checkbox"/> Pressure switch	<input type="checkbox"/> Nut driver tool
			<input type="checkbox"/> Electric indicating timer with buzzer	<input type="checkbox"/> Draw-off nut driver tool
				<input type="checkbox"/> Screw driver tool
				<input type="checkbox"/> Lockable control cover
				<input type="checkbox"/> Lockable lid
				<input type="checkbox"/> Draw-off protection

Revision 1200



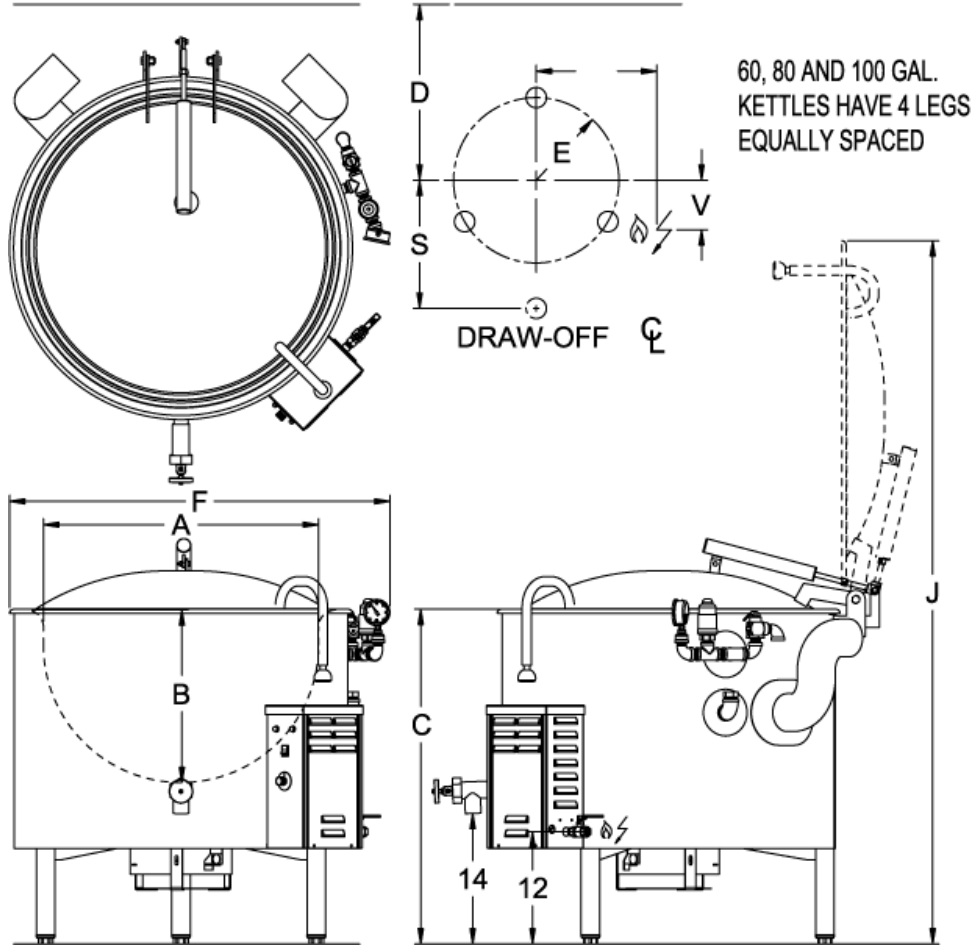
LEGION LEGION INDUSTRIES, INC. ♦ POST OFFICE BOX F ♦ DALLAS, PA 18612
(800) 833-9803 ♦ (570) 675-1595 ♦ FAX: (570) 675-7551 ♦ www.legionindustries.com

Low-Rim™ Series Model LGB-F

Gas-Fired, Full Jacket
Insulated for Safety™
Deep Drawn Construction
Floor Mounted, Made in USA

SELF-CONTAINED KETTLE

DRAWING REPRESENTS 40 GALLON MODEL



MODEL LGB-F DIMENSIONS

GAL.	15	20	25	30	40	60	80	100
A	22.0	23.0	25.5	25.5	29.5	32.5	39.0	44.0
B	12.9	15.0	15.5	18.0	18.5	22.3	22.0	22.5
C*	29.0	31.6	32.8	35.1	35.0	39.5	39.5	39.5
D	24.1	24.6	25.8	25.8	27.8	29.3	32.6	35.1
E	12.9	13.4	14.6	14.6	16.6	18.1	21.4	23.9
F	34.4	35.4	37.1	37.1	41.1	44.1	50.6	55.6
J*	61.0	64.6	68.3	70.6	74.5	82.0	88.5	93.5
S*	17.2	17.7	18.9	18.9	20.9	22.4	25.7	28.2
V	6.8	7.1	8.0	8.0	9.4	10.5	12.8	14.6
W	16.2	16.5	17.4	17.4	18.8	19.9	22.2	24.0

MODEL LGB-F GAS & ELECTRIC SPECIFICATIONS

GAL.	BTU RATING		NATURAL	PROPANE	ELECTRICAL
	NATURAL	PROPANE			
15	63,167	59,588	Piping: 1/2" IPS	Piping: 1/2" IPS	120 volt (standard) 208/240 volt (optional) 50/60 Hz 1 phase 1 amp
20	66,725	67,798			
25	79,855	83,052	Piping: 3/4" IPS	Piping: 3/4" IPS	
30	79,855	83,052			
40	106,759	108,476	Supply pressure: 5-7" W.C. (nominal)	Supply pressure: 12-14" W.C. (nominal)	
60	131,353	131,093			
80	154,836	149,155	Outlet Pressure Factory setting: 3.5" W. C.	Outlet Pressure Factory setting: 9.0" W. C.	
100	154,836	149,155			

Revision 1200

*Dimensions on these drawings are applicable only when using a 1.5" diameter draw-off valve. If a 2" or 3" diameter draw-off valve is required, contact Legion for applicable dimensions.



LEGION LEGION INDUSTRIES, INC. ♦ POST OFFICE BOX F ♦ DALLAS, PA 18612
(800) 833-9803 ♦ (570) 675-1595 ♦ FAX: (570) 675-7551 ♦ www.legionindustries.com