

Insulated Self-Contained Kettle

**Electric, 2/3 Jacketed
Insulated for Safety™
Deep Drawn Construction
Stationary, Floor Mounted
Made in USA**

Model LTCRE

Standard Features



Model LTCRE-60 shown with custom dispensing faucet

- ◆ The Legion 316L Kettle System
 - ◇ 316L stainless liner
 - ◇ 316 stainless draw-off tube and welds
 - ◇ 316 stainless 1.5" compression draw-off
- ◆ 304 stainless kettle jacket
- ◆ Kettle protection system
 - ◇ Thermostat temperature control, 150°F - 260°F
 - ◇ Pressure relief valve, 30 psi maximum operating pressure
 - ◇ Air eliminator valve
 - ◇ Pressure gauge
 - ◇ Jacket-water fill
 - ◇ Automatic low water cut off and indicator light
 - ◇ Field replaceable heating elements
- ◆ Full body insulation between kettle jacket and outer casing
- ◆ 304 stainless outer casing seam welded to radius lip
- ◆ 304 stainless, seam welded control console
- ◆ 304 stainless, one piece, domed cover
- ◆ Recirculating pump with automatic timer and manual control
- ◆ Graduated, break-resistant coffee level sight glass
- ◆ Gridded riser basket with canvas coffee bag and stainless spreader ring
- ◆ Bag removal hoist
- ◆ Water fill connection
- ◆ Adjustable flanged feet

Legion equipment is built to comply with applicable standards for manufacturers. Approval agencies may include ASME, NSF, UL, ETL, AGA, CSA, CGA and others. Legion reserves the right of design improvement or modification as warranted.

Models and Capacities

Optional Features and Accessories

See price list for supplemental information regarding options

LTCRE-40	40 gal.	(151 l.)
LTCRE-60	60 gal.	(227 l.)
LTCRE-80	80 gal.	(303 l.)
LTCRE-100	100 gal.	(379 l.)

Prison/Security:

- _ Draw-off protection package
- _ Fasteners (*screws & nuts*)
- _ Nut driver tool
- _ Screw driver tool
- _ Lockable lid
- _ Lockable control cover

Other Options:

- _ Pressure switch
- _ Elevated draw-off faucet 1/2"
- _ Water supply plumbing assembly
- _ Stainless mesh cloth coffee filter
- _ Remote coffee fill

Accessories:

- _ Draw-off drain with 6 foot hose
- _ Cloth coffee bag insert with stainless spreader ring
- _ Care kit

PUMP MOTOR OPTIONS

Voltage	φ Phase	Amps	H.P.
115	1	5.2	1/3
220	1	3.2	1/3
230	1	2.6	1/3
208	3	1.4	1/3
230	3	1.2	1/3
460	3	.6	1/3

Select Voltage: __208V __240V __380V __415V
__440V __480V

Select Phase: __1φ __3φ

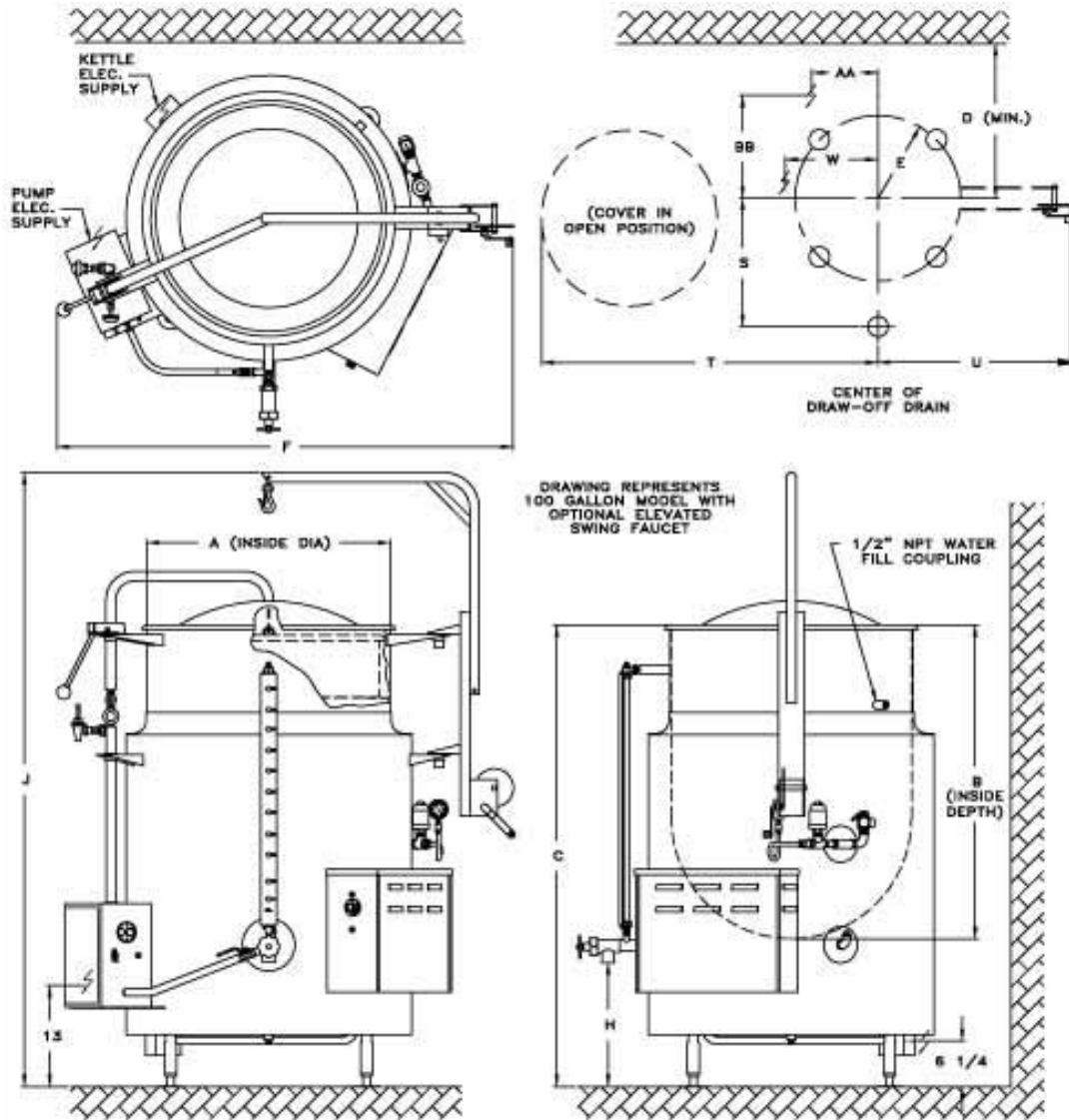
Revision 1102

**Legion Industries, Inc., Post Office Box F, Dallas, PA 18612, (800) 833-9803, (570) 675-1595,
Fax: (570) 675-7551, www.legionindustries.com, sales@legionindustries.com**

Model LTCRE

Electric, 2/3 Jacketed
Insulated for Safety™
Deep Drawn Construction
Stationary, Floor Mounted
Made in USA

Insulated Self-Contained Kettle



MODEL LTCRE DIMENSIONS

Gal	A	B	C	D	E	F	H	J	S	T	U	W	AA & BB
40	23.0	35.5	53.5	28.6	13.6	54.6	14.6	70.5	20.0	49.1	28.9	18.4	11.9
60	25.5	40.5	58.5	31.3	15.0	58.0	14.6	75.5	21.4	52.9	30.1	19.6	12.9
80	29.5	41.5	60.5	35.3	17.0	59.0	15.9	76.5	23.4	58.9	32.1	21.6	14.3
100	32.5	42.5	61.8	38.3	18.5	62.0	16.0	83.3	24.5	63.4	33.6	23.1	15.4

MODEL LTCRE ELECTRICAL SPECIFICATIONS (Amperes per leg)

Gal.	kW	208 Volt		240 Volt		380 Volt		415 Volt		440 Volt		480 Volt	
		1φ	3φ	1φ	3φ	1φ	3φ	1φ	3φ	1φ	3φ	1φ	3φ
40	12.0	57.7	33.3	50.0	28.9	31.6	18.2	28.9	16.7	27.3	15.7	25.0	14.4
60	24.0	115.4	66.6	100.0	57.7	63.2	36.5	57.8	33.4	54.5	31.5	50.0	28.9
80	36.0	173.1	99.9	150.0	86.6	94.7	54.7	86.7	50.1	81.8	47.2	75.0	43.3
100	36.0	173.1	99.9	150.0	86.6	94.7	54.7	86.7	50.1	81.8	47.2	75.0	43.3

Revision 1102

Legion Industries, Inc., Post Office Box F, Dallas, PA 18612, (800) 833-9803, (570) 675-1595,
Fax: (570) 675-7551, www.legionindustries.com, sales@legionindustries.com