

SELF-CONTAINED KETTLE

**ELECTRIC, INSULATED
TILTING, FLOOR MOUNTED
DEEP DRAWN CONSTRUCTION
MADE IN USA**

MODEL TWE

STANDARD FEATURES



- ◆ 316 stainless liner
- ◆ 304 stainless kettle jacket
- ◆ Kettle protection system
 - ◇ 30 psi safety valve and maximum operating pressure
 - ◇ Pressure gauge
 - ◇ Jacket-water fill
 - ◇ Thermostat temperature control
 - ◇ Automatic low water cut off and indicator light
 - ◇ Field replaceable heating elements
 - ◇ Tilting cut-off switch
- ◆ Full body insulation between kettle jacket and outer casing
- ◆ 304 stainless outer casing seam welded to radius lip
- ◆ 304 stainless, seam welded control console
- ◆ 304 stainless, reinforced gear box
- ◆ 304 stainless, 2" tubular support frame
- ◆ Self-locking worm gear tilt mechanism
- ◆ Adjustable flanged feet

Model TWE-60
(with optional 1 1/2 draw-off valve)

Legion equipment is built to comply with applicable standards for manufacturers. Approval agencies may include ASME, NSF, UL, ETL, AGA, CSA, CGA, and others. Legion reserves the right of design improvement or modification as warranted.

MODELS AND CAPACITIES			OPTIONAL FEATURES AND ACCESSORIES	
			See price list for supplemental information regarding options	
TWE-20	20 gal.	(76 l.)	<input type="checkbox"/> Single or double fill faucet with bracket & 12 or 18" swing nozzle <input type="checkbox"/> 48" flexible spray hose assembly (vinyl or stainless) for use with dual or single fill faucet <input type="checkbox"/> Faucet bracket <input type="checkbox"/> Automatic water filling meter (Call for information regarding additional faucet options) <input type="checkbox"/> Single basket insert, 20 - 40 gallon <input type="checkbox"/> Tri-basket insert <input type="checkbox"/> Nylon bag insert with spreader ring <input type="checkbox"/> Pour lip pan holder assembly <input type="checkbox"/> Lift-off cover <input type="checkbox"/> 1 piece actuator-assisted cover <input type="checkbox"/> Pressure switch <input type="checkbox"/> Electric indicating timer with buzzer	<input type="checkbox"/> Draw-off drain hose <input type="checkbox"/> Measuring strip <input type="checkbox"/> Perforated disk strainer, 1/8" or 1/4" holes <input type="checkbox"/> Kettle care kit <input type="checkbox"/> Mixer/Agitator, 2 speed Prison/Security Options: <input type="checkbox"/> Fasteners (screws & nuts) <input type="checkbox"/> Nut driver tool <input type="checkbox"/> Draw-off nut driver tool <input type="checkbox"/> Screw driver tool <input type="checkbox"/> Lockable control cover
TWE-30	30 gal.	(114 l.)		
TWE-40	40 gal.	(151 l.)		
TWE-60	60 gal.	(227 l.)		
Select draw-off: <input type="checkbox"/> 1½" <input type="checkbox"/> 2" <input type="checkbox"/> 3" With: <input type="checkbox"/> compression <input type="checkbox"/> ball type fitting See price list for other draw-off options. Select voltage: <input type="checkbox"/> 208V <input type="checkbox"/> 240V <input type="checkbox"/> 380V <input type="checkbox"/> 415V <input type="checkbox"/> 440V <input type="checkbox"/> 480V Select phase: <input type="checkbox"/> 1Ø <input type="checkbox"/> 3Ø				

Revision 999



LEGION® The Finest American Quality Since 1897

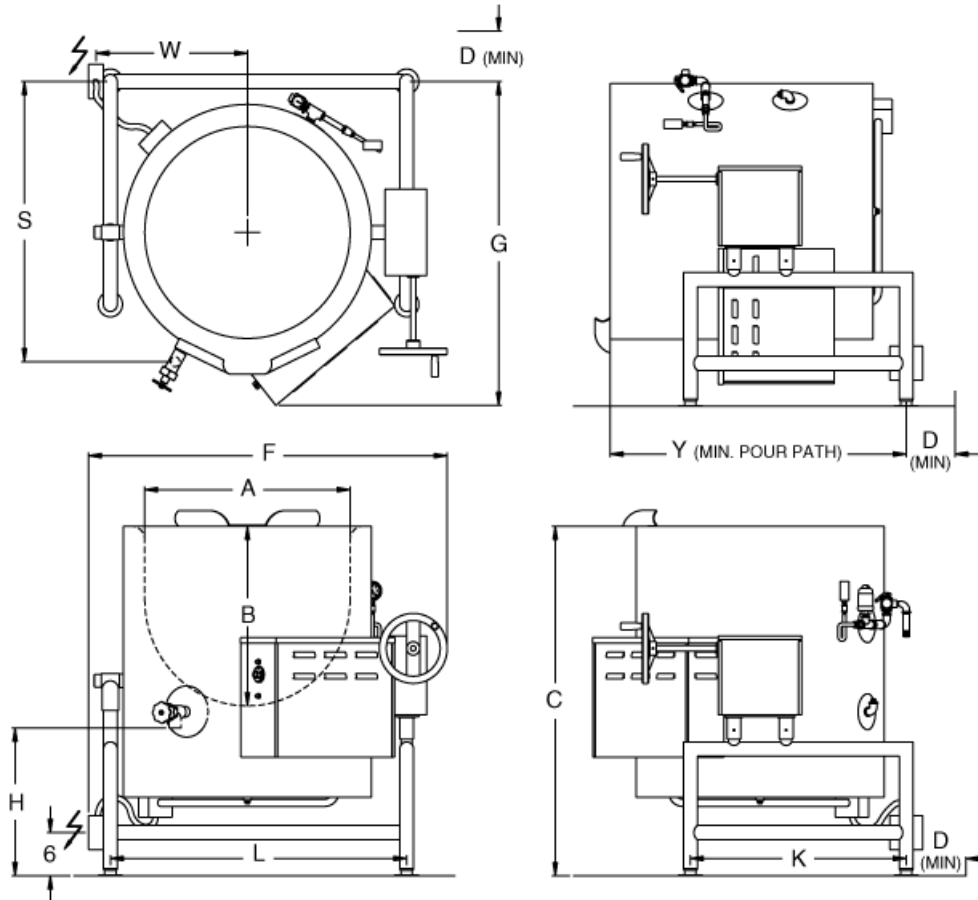
LEGION INDUSTRIES, INC. ◆ 69 MAIN ST. ◆ DALLAS, PA 18612 ◆ (800) 833-9803 ◆ (570) 675-1575 ◆ FAX: (570) 675-7551

MODEL TWE

**ELECTRIC, INSULATED
TILTING, FLOOR MOUNTED
DEEP DRAW CONSTRUCTION
MADE IN USA**

SELF-CONTAINED KETTLE

DRAWING REPRESENTS 60 GALLON MODEL WITH OPTIONAL 1 1/2 DRAW-OFF



MODEL TWE DIMENSIONS

GAL.	A	B	C	D	F	G	H*	K	L	S*	W	Y
20	22.0	16.0	41.6	7.0	43.1	42.0	22.8	31.0	35.0	35.8	18.0	35.5
30	23.0	20.3	43.5	7.0	44.1	42.5	20.4	31.0	36.0	35.8	18.5	37.4
40	25.5	22.3	47.5	7.0	46.6	43.5	22.3	31.0	38.5	37.0	19.9	41.4
60	29.5	25.0	48.6	7.0	51.6	45.3	20.5	31.0	42.6	39.0	21.9	42.5

*Dimensions H & S apply only if an optional 1 1/2" draw-off is ordered. If a 2" or 3" draw-off is required, contact Legion for applicable dimensions.

MODEL TWE ELECTRICAL SPECIFICATIONS (Amperes per Leg)

GAL.	KW	208 VOLT		240 VOLT		380 VOLT		415 VOLT		440 VOLT		480 VOLT	
		1Ø	3Ø	1Ø	3Ø	1Ø	3Ø	1Ø	3Ø	1Ø	3Ø	1Ø	3Ø
20	12.0	57.7	33.3	50.0	28.9	31.6	18.2	28.9	16.7	27.3	15.7	25.0	14.4
30	24.0	115.4	66.6	100.0	57.7	63.2	36.5	57.8	33.4	54.5	31.5	50.0	28.9
40	24.0	115.4	66.6	100.0	57.7	63.2	36.5	57.8	33.4	54.5	31.5	50.0	28.9
60	36.0	173.1	99.9	150.0	86.6	94.7	54.7	86.7	50.1	81.8	47.2	75.0	43.3

Revision 999



LEGION® The Finest American Quality Since 1897
 LEGION INDUSTRIES, INC. ♦ 69 MAIN ST. ♦ DALLAS, PA 18612 ♦ (800) 833-9803 ♦ (570) 675-1575 ♦ FAX: (570) 675-7551