

# Tilting Skillets

**Gas-Fired, Manual Tilting  
Floor Mounted  
Made in USA**

# Classic Model TGSE

## Standard Features



**Model TGSE-2440-9  
shown with optional 1.5" draw-off valve  
and dual faucet with swing nozzle**

- ◆ 304 stainless seam welded pan with:
  - ◇ Center trunnion mounted
  - ◇ Self-locking worm gear tilt mechanism
  - ◇ Rotation exceeds 90°
  - ◇ 304 stainless clad cooking surface
  - ◇ Electronic direct spark ignition
  - ◇ 120V, single phase (1ϕ) standard
- ◆ Adjustable thermostat (175°F to 400°F)
- ◆ High limit safety thermostat
- ◆ Patented 304 stainless safety lid, seam welded with:
  - ◇ Actuator-assisted counterbalance
  - ◇ Full width condensate drip shield
  - ◇ Full width rear steam vent
  - ◇ Single side-mounted safety handles
- ◆ 304 stainless, reinforced, water-resistant control console
- ◆ 304 stainless tubular frame construction
- ◆ Knockdown capability to fit through 26" x 66" opening
- ◆ Adjustable bullet feet

Legion equipment is built to comply with applicable standards for manufacturers. Approval agencies may include ASME, NSF, UL, ETL, AGA, CSA, CGA and others. Legion reserves the right of design improvement or modification as warranted.

## Models and Capacities

Model	2.5" Insert Pans	Cooking Baskets	Griddle Area (in. <sup>2</sup> )	Kettle (Gals.)	Oven Volume (ft. <sup>3</sup> )
TGSE-2430-7	2	2	778	23	3.2
TGSE-2430-9	2	2	778	30	4.1
TGSE-2430-11	2	2	778	37	5.0
TGSE-2440-7	3	3	1029	31	4.2
TGSE-2440-9	3	3	1029	40	5.4
TGSE-2440-11	3	3	1029	49	6.6

Select draw-off valve:  1.5"  2"  3"

With:  compression  ball type fitting

*See price list for other draw-off options.*

Select Voltage:  120V  208V  240V  
(120V supplied with plug, 208 & 240V connect directly to junction box)

Select Gas:  Natural  LP  Other

Revision 1102

## Optional Features and Accessories

See price list for supplemental information regarding options

### Faucet Options:

- Faucet bracket mounted on unit
  - Single or dual faucet with bracket & 12" or 18" swing nozzle
  - 48" flexible spray hose assembly (vinyl or stainless) for dual or single faucet
  - Automatic water filling meter
- (Call for information regarding additional faucet options)*

### Prison/Security Options:

- Fasteners (screws & nuts)
- Nut driver tool
- Screw driver tool
- Lockable control cover
- Lockable lid

### Feet:

- Casters (2 each locking/nonlocking type) & restraining devices
- Adjustable flanged feet
- Restraining device kit
- Gas quick disconnect 1/2"
- Flexible gas hose 1/2" x 60"

### Other Options:

- Electric timer with buzzer
- In wall carrier for wall mounting

### Accessories:

- #10 Can holder for draw-off
- Draw-off drain with 6' hose
- Flat bottom scoop
- Perforated draw-off strainer, 1/4" holes
- Pour lip strainer
- Perforated cooking/steaming basket (11" x 20 1/2" x 5")
- Perforated or solid 12 x 20 pans, 2 1/2, 4 or 6"
- Stationary side frame and tray
- Pour lip pan holder assembly
- Draw-off pan holder assembly
- Care kit
- 3 part tool for cleaning cooking surface

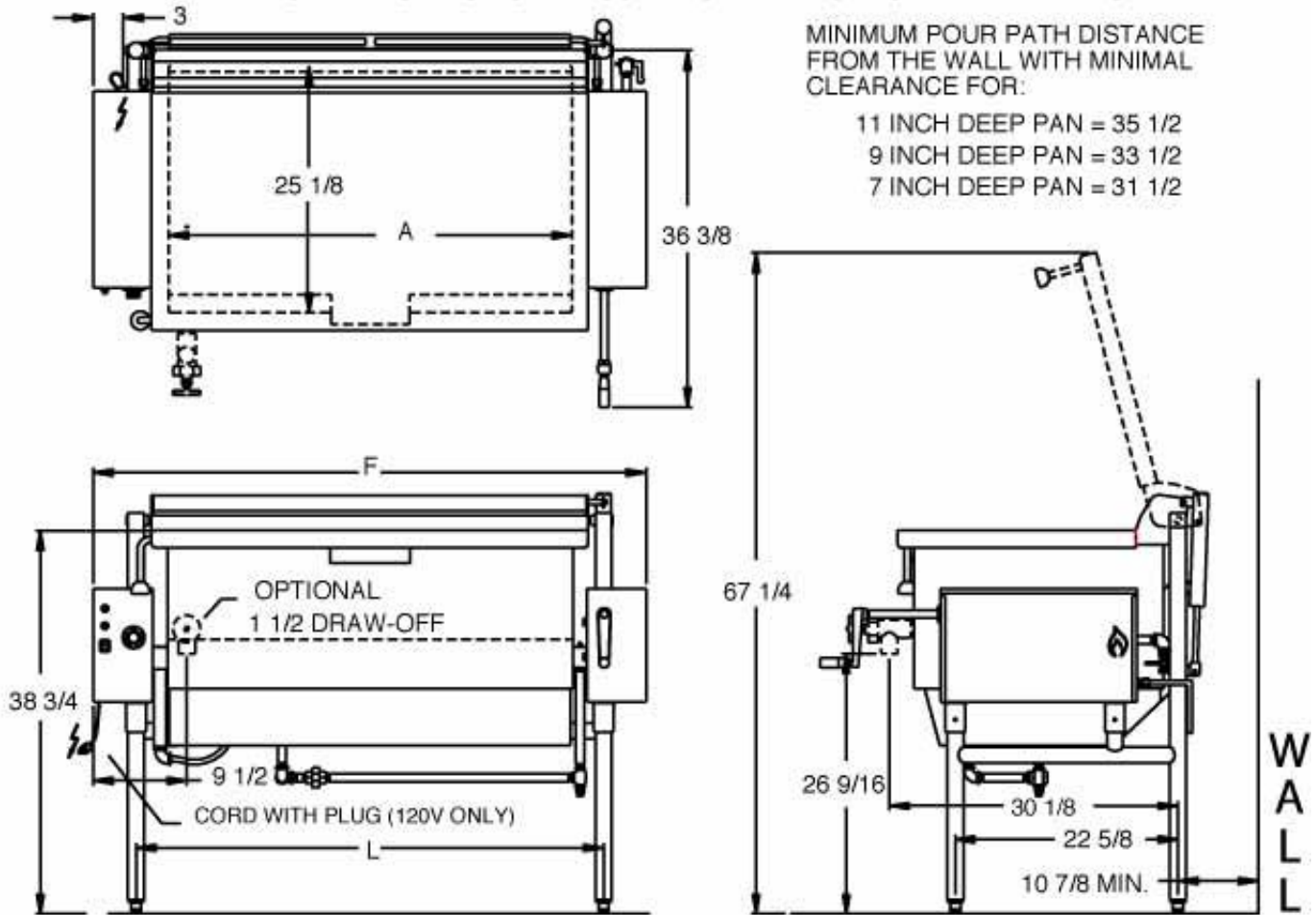
**Legion Industries, Inc., Post Office Box F, Dallas, PA 18612, (800) 833-9803, (570) 675-1595,  
Fax: (570) 675-7551, [www.legionindustries.com](http://www.legionindustries.com), [sales@legionindustries.com](mailto:sales@legionindustries.com)**

# Classic Model TGSE

Gas-Fired, Manual Tilting  
Floor Mounted  
Made in USA

# Tilting Skillets

DRAWING REPRESENTS MODEL TGSE-2440-11 WITH OPTIONAL 1 1/2 DRAW-OFF



CLASSIC™ MODEL TGSE DIMENSIONS

Model	Depth	A	F	L	Model	Depth	A	F	L
TGSE-2430-7	7	31.0	46.1	37.5	TGSE-2440-7	7	41.0	56.1	47.5
TGSE-2430-9	9	31.0	46.1	37.5	TGSE-2440-9	9	41.0	56.1	47.5
TGSE-2430-11	11	31.0	46.1	37.5	TGSE-2440-11	11	41.0	56.1	47.5

CLASSIC™ MODEL TGSE GAS SPECIFICATIONS

Model*	Gas Rating - Btu Input		Gas Pressure & Piping Specifications	
	Natural	Propane	Natural	Propane
TGSE-2430-()	90,000	75,000	Piping - 1/2" IPS Inlet Pressure Range, 5.0 - 7.0 inches w.c.	Piping - 1/2" IPS Inlet Pressure Range, 12.0 - 14.0 inches w.c.
TGSE-2440-()	120,000	100,000	Outlet Pressure Setting, 3.5 inches w.c.	Outlet Pressure Setting, 10.0 inches w.c.

U.S. Patent Nos. 5,553,531, 5,865,101, 5,964,145

Revision 1102

**Legion Industries, Inc., Post Office Box F, Dallas, PA 18612, (800) 833-9803, (570) 675-1595,  
Fax: (570) 675-7551, www.legionindustries.com, sales@legionindustries.com**